



Installation and Maintenance Guide

Oras Aventa

Water Is Worth Loving.

5930

EN 817

I (ISO 3822)

50 - 1000 kPa

0.21 l/s (300 kPa)

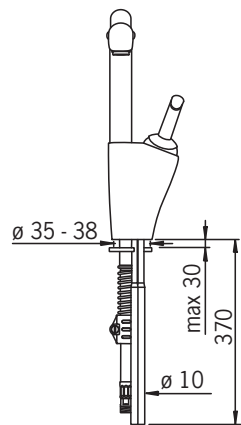
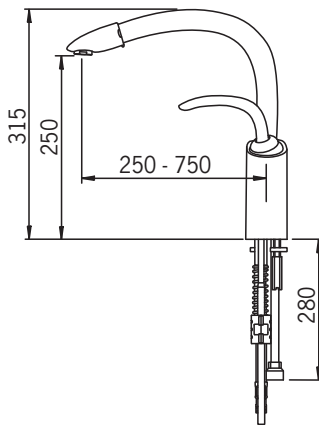
285 kPa (0.2 l/s)

max. +80°C



VA 1.42/18859

STF YM204/6221/2005



5930F

EN 817

II (ISO 3822)

50 - 1000 kPa

0.19 l/s (300 kPa)

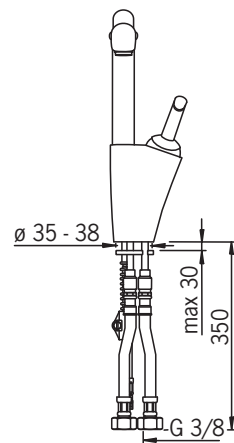
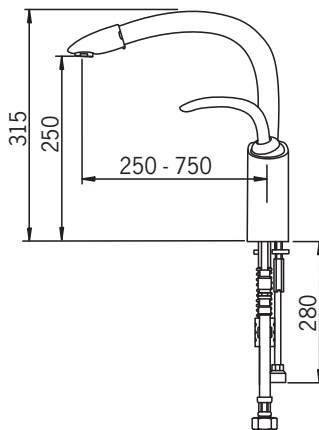
330 kPa (0.2 l/s)

max. +80°C



VA 1.42/18859

STF YM204/6221/2005



5932

EN 817

I (ISO 3822)

50 - 1000 kPa

0.21 l/s (300 kPa)

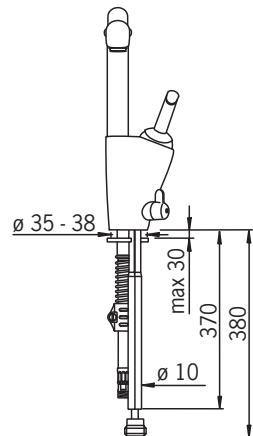
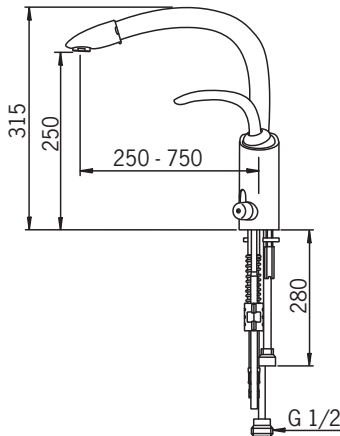
285 kPa (0.2 l/s)

max. +80°C



VA 1.42/18859

STF YM204/6221/2005



5932F

EN 817

I (ISO 3822)

50 - 1000 kPa

0.19 l/s (300 kPa)

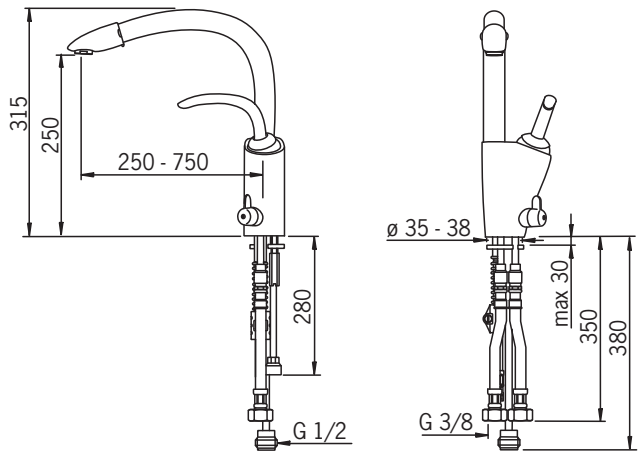
330 kPa (0.2 l/s)

max. +80°C

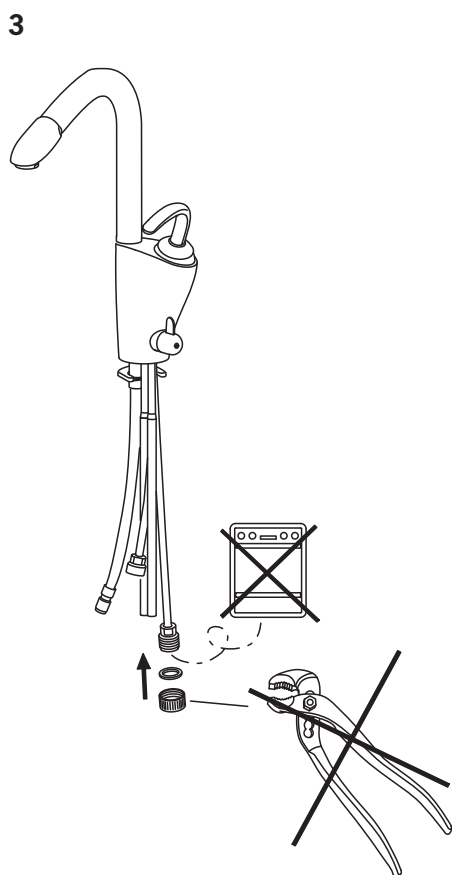
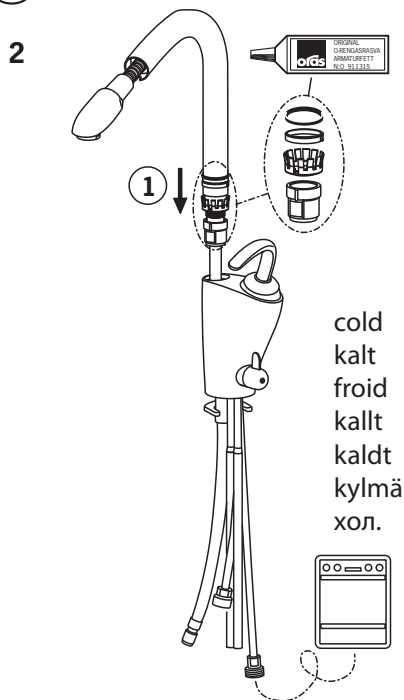
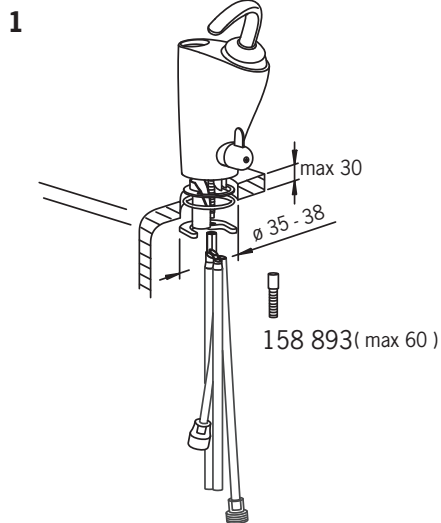


VA 1.42/18859

STF YM204/6221/2005

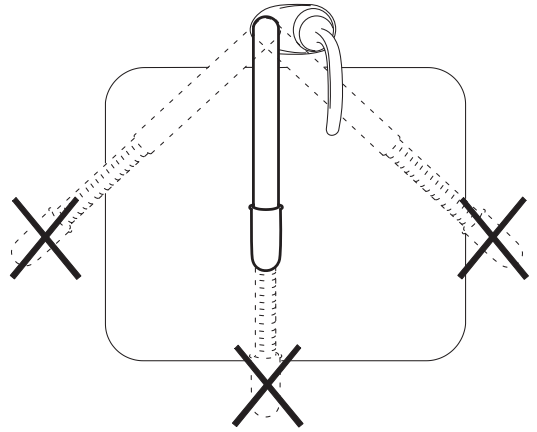


- DE **Montage**
- GB **Installation**
- DK **Installation**
- ES **Montaje**
- EE **Paigaldus**
- FI **Asennus**
- NL **Installatie**
- FR **Installation**
- IT **Montaggio**
- LV **Montāža**
- LT **Montavimas**
- NO **Montering**
- PL **Instalacja**
- RO **Instalare**
- RU **Установка**
- SE **Installation**
- SK **Inštalácia**
- CZ **Montáž**

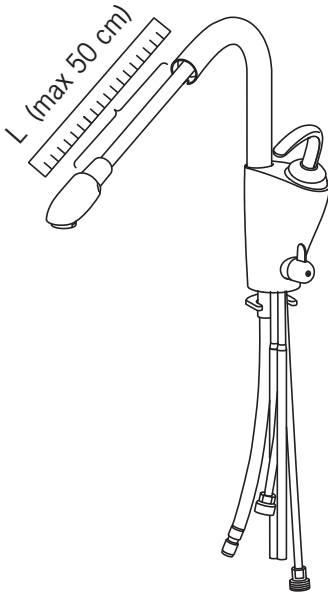


- Ⓧ DE **Montage**
- Ⓧ GB **Installation**
- Ⓧ DK **Installation**
- Ⓧ ES **Montaje**
- Ⓧ EE **Paigaldus**
- Ⓧ FI **Asennus**
- Ⓧ NL **Installatie**
- Ⓧ FR **Installation**
- Ⓧ IT **Montaggio**
- Ⓧ LV **Montāža**
- Ⓧ LT **Montavimas**
- Ⓧ NO **Montering**
- Ⓧ PL **Instalacja**
- Ⓧ RO **Instalare**
- Ⓧ RU **Установка**
- Ⓧ SE **Installation**
- Ⓧ SK **Inštalácia**
- Ⓧ CZ **Montáž**

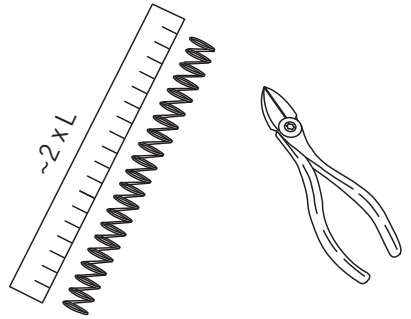
4



5

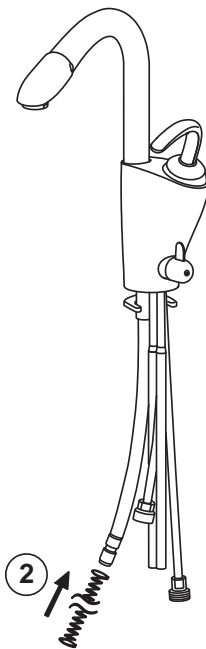


6

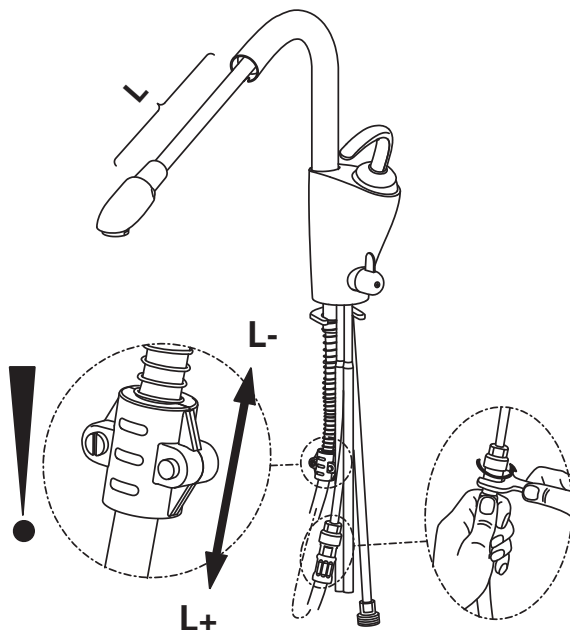


- Ⓛ DE **Montage**
- Ⓛ GB **Installation**
- Ⓛ DK **Installation**
- Ⓛ ES **Montaje**
- Ⓛ EE **Paigaldus**
- Ⓛ FI **Asennus**
- Ⓛ NL **Installatie**
- Ⓛ FR **Installation**
- Ⓛ IT **Montaggio**
- Ⓛ LV **Montāža**
- Ⓛ LT **Montavimas**
- Ⓛ NO **Montering**
- Ⓛ PL **Instalacja**
- Ⓛ RO **Instalare**
- Ⓛ RU **Установка**
- Ⓛ SE **Installation**
- Ⓛ SK **Inštalácia**
- Ⓛ CZ **Montáž**

7



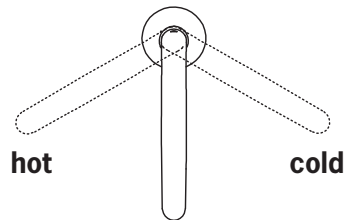
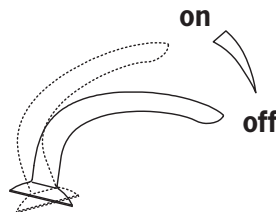
8



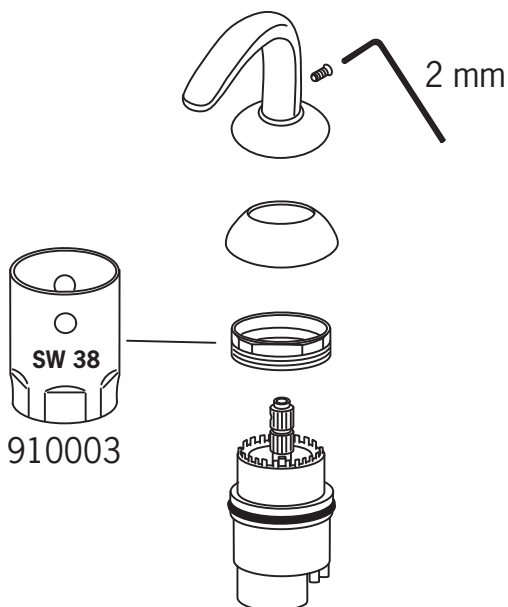
- (DE) **Reinigung der Armatur**
- (GB) **Cleaning the faucet**
- (DK) **Rengøring af armaturet**
- (ES) **Limpieza de la grifería**
- (EE) **Puhastamine**
- (FI) **Puhdistus**
- (NL) **Reinigen van de kraan**
- (FR) **Nettoyage du robinet**
- (IT) **Pulizia della rubinetteria**
- (LV) **Krāna tīrīšana**
- (LT) **Ventilio valymas**
- (NO) **Rengjøring av kranen**
- (PL) **Czyszczenie baterii**
- (RO) **Curățirea bateriei sanitare**
- (RU) **Чистка смесителя**
- (SE) **Rengöring av kranarna**
- (SK) **Čistenie vodovodnej batérie**
- (CZ) **Čištění baterie**



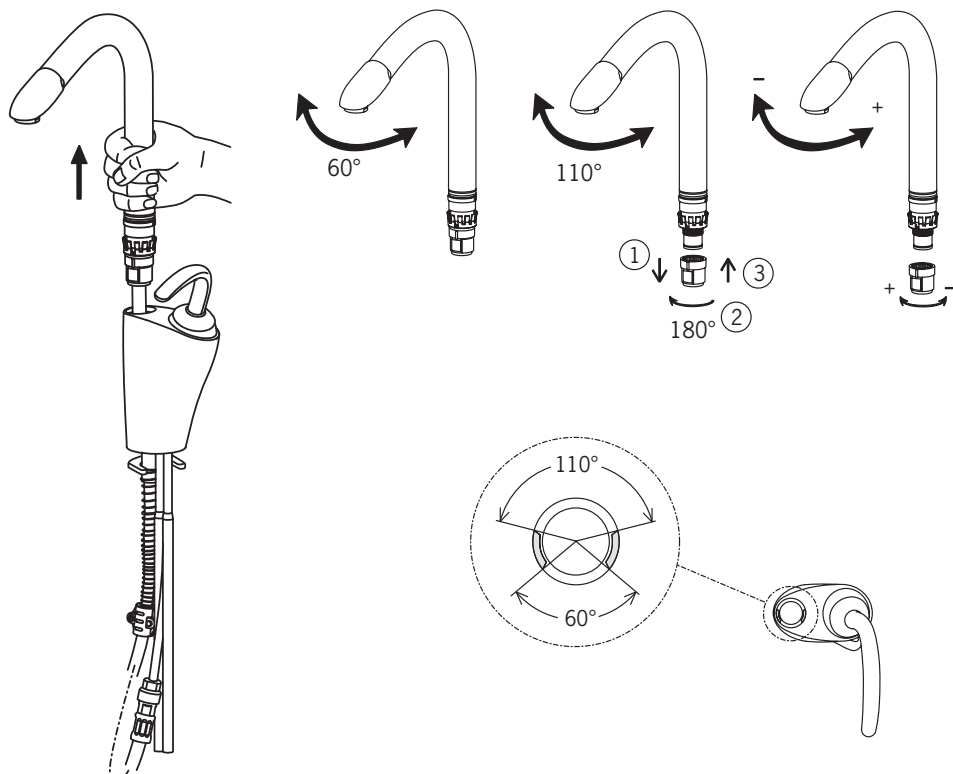
- (DE) **Funktion**
- (GB) **Operation**
- (DK) **Betjening**
- (ES) **Servicio**
- (EE) **Toimimine**
- (FI) **Toiminta**
- (NL) **Bediening**
- (FR) **Utilisation**
- (IT) **Funzionamento**
- (LV) **Darbības princips**
- (LT) **Veikimo principas**
- (NO) **Funksjon**
- (PL) **Działanie**
- (RO) **Operare**
- (RU) **Принцип действия**
- (SE) **Funktion**
- (SK) **Prevádzka**
- (CZ) **Funkce**



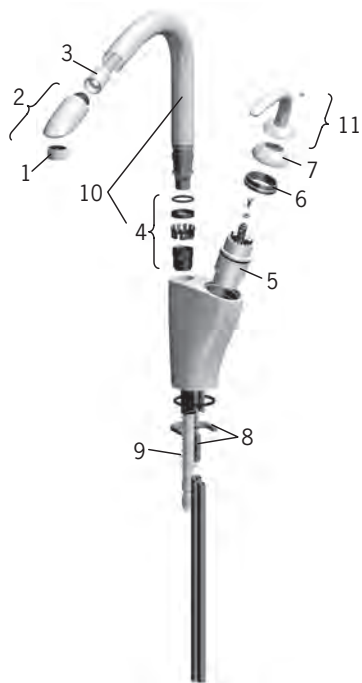
- ⓁⒺ **Ein- und Ausbau der Kartusche**
- ⓁⒸ **To change the cartridge**
- ⓁⒹ **Udskiftning af reguleringskassette (unit)**
- ⓁⒺ **Montaje del cartucho**
- ⓁⒺ **Seadeosa vahetus**
- ⓁⒻ **Säätöosan vaihto**
- ⓁⒽ **Vervangen van het keramische binnenwerk**
- ⓁⒻ **Montage et démontage de la cartouche**
- ⓁⒽ **Montaggio della cartuccia**
- Ⓛ⒮ **Regulēšanas mehānisma kasetes maiņa**
- ⓁⒿ **Valdančiosios kasetės pakeitimas**
- ⓁⓃ **Skifting av kassett**
- ⓁⓅ **Wymiana modułu sterującego**
- ⓁⓇ **Înlocuirea cartușului**
- ⓁⓇ **Замена регулировочного блока**
- ⓁⓈ **Byte av kassett**
- ⓁⓈ **Výměna kartuše**
- ⓁⓈ **Výměna kartuše**



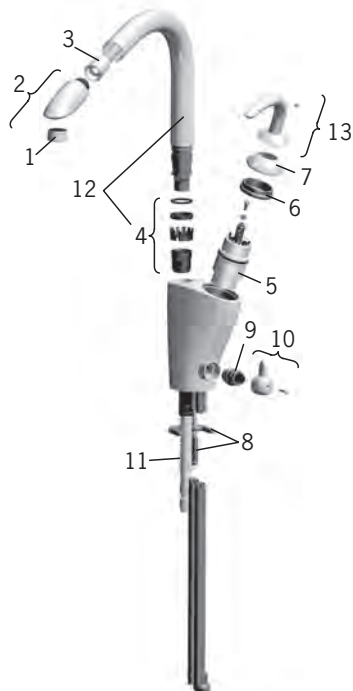
- (DE) Den Schwenkbereich des Auslaufs ändern
 (GB) To change the spout's swing angle
 (DK) Ændring af tudens svingradius
 (ES) Variación del radio d'azione della bocca
 (EE) Jooksutoru pöördumisnurga muutmise
 (FI) Juoksuputken kääntymiskulman muuttaminen
 (NL) Om de draaihoek van de uitloop te wijzigen
 (FR) Changement de la rotation du bec
 (IT) Per modificare l'angolo di rotazione della bocca
 (LV) Iztekas pagrieziena leņķa maiņa
 (LT) Snapelio posūkių kampo pakeitimas
 (NO) Begrensning av tudens svingutslag
 (PL) W celu zmiany kąta obrotu wylewki
 (RO) Modificarea unghiului de rotație a pipei
 (RU) Изменение угла поворота излива
 (SE) Ändring av utloppspipens svängradie
 (SK) Možnosť zmeny veľikosti úhlu otáčeni výtokového ramene
 (CZ) Výměna výtokového ramene



(DE)	Ersatzteile	5930, 5930F
(GB)	Spare parts	1 232210
(DK)	Reservedele	2 159640V
(ES)	Piezas de recambio	3 600533V
(EE)	Varuosad	4 159647V
(FI)	Varaosat	5 158890
(NL)	Reserve-onderdelen	6 158726
(FR)	Pièces détachées	7 859103V
(IT)	Pezzi di ricambio	8 159607V
(LV)	Rezerves daļas	9 159648V
(LT)	Atsarginės dalys	10 159693V
(NO)	Reservedeler	11 159639V
(PL)	Części zamienne	
(RO)	Piese de schimb	
(RU)	Запасные части	
(SE)	Reservdelar	
(SK)	Náhradné diely	
(CZ)	Náhradní díly	



(DE)	Ersatzteile	5932, 5932F
(GB)	Spare parts	1 232210
(DK)	Reservedele	2 159640V
(ES)	Piezas de recambio	3 600533V
(EE)	Varuosad	4 159647V
(FI)	Varaosat	5 158890
(NL)	Reserve-onderdelen	6 158726
(FR)	Pièces détachées	7 859103V
(IT)	Pezzi di ricambio	8 159607V
(LV)	Rezerves daļas	9 158203V
(LT)	Atsarginės dalys	10 159643V
(NO)	Reservedeler	11 159648V
(PL)	Części zamienne	12 159693V
(RO)	Piese de schimb	13 159639V
(RU)	Запасные части	
(SE)	Reservdelar	
(SK)	Náhradné diely	
(CZ)	Náhradní díly	



Oras is a significant developer, manufacturer and marketer of kitchen and bathroom faucets. Ever since the company's founding in 1945 in Rauma, Finland, Oras has been dedicated to bring products of high quality and design with user-friendly technological solutions to the markets. Each technological improvement is designed to contribute to water and energy savings. As early as in the 1990s, Oras presented the touchless, electronic faucets to the European HVAC markets. Oras' vision is to become the true owner of the electronic faucet markets in Europe.

Oras is entirely owned by a family company Oras Invest. All Oras faucets are produced in Europe, in the company's three factories located in Rauma, Finland, in Olesno, Poland and in Leksvik, Norway. Likewise the raw material and the components used in production are sourced from European suppliers. For more information, visit www.oras.com

Det Norske Veritas Certification OY/AB certifies that the Quality Management System of Oras Oy in Rauma Finland, conforms to the ISO 9001, the Environmental Management System to the ISO 14001 standard and the Occupational Health and Safety System to the OHSAS 18001 standard. The certificates are valid for development, manufacture, marketing, sales and after sales services of faucets, accessories and valves.

The TÜV CERT Certification Body of TÜV NORD Zertifizierungs- und Umweltgutachter Gesellschaft mbH certifies that the Quality Management System of Oras Olesno Sp. z o.o. in Olesno Poland, conforms to the ISO 9001, the Environmental Management System to the ISO 14001 standard and the Occupational Health and Safety System to the OHSAS 18001 standard. The certificates are valid for manufacture, storage, marketing, sales and after sales services of faucets, valves and accessories.



ORAS GROUP

Isometsäntie 2, P.O. Box 40
FI-26101 Rauma
Finland
Tel. +358 2 83 161
Fax +358 2 831 6300
Info.Finland@oras.com



www.oras.com

945978/03/11