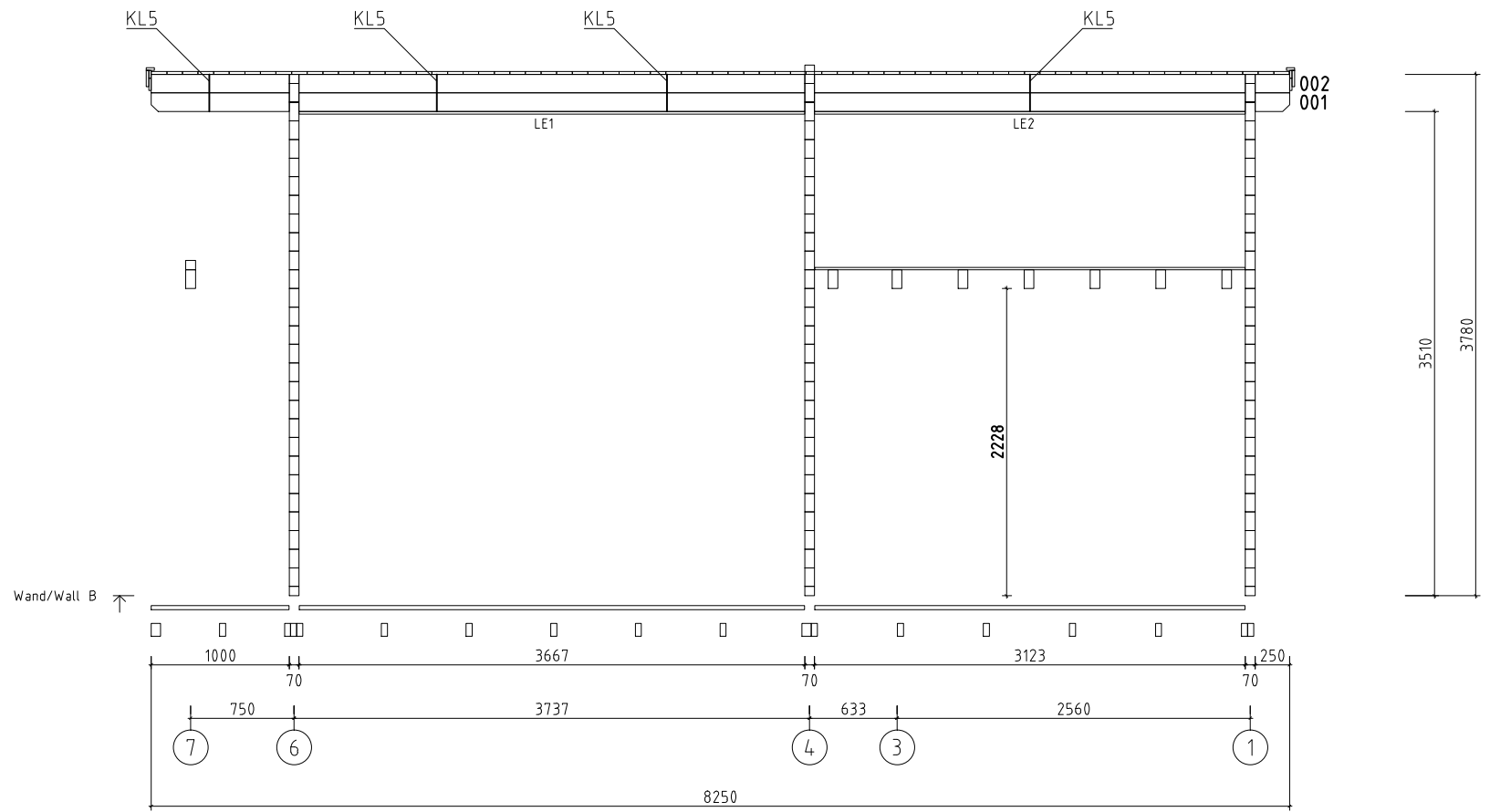
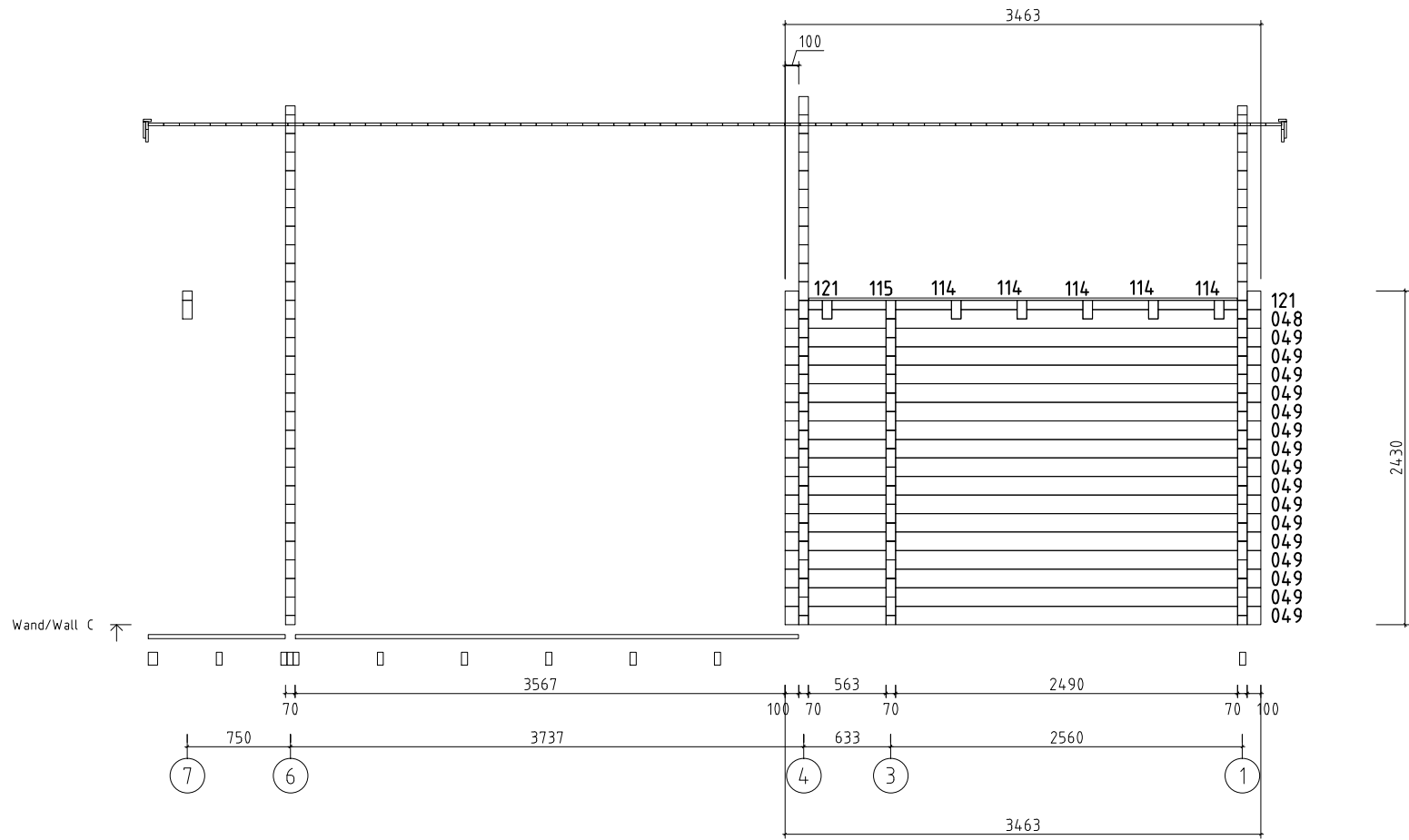


|                   |      |                      |          |
|-------------------|------|----------------------|----------|
| Name              |      | Dakota 730x720+VD 70 |          |
| Zeichnung/Drawing |      | WAND/WALL A          |          |
| Mootkava          | 1:50 | Profil/Profile       | 7.0x13.5 |
| Datum/Date        |      | 09.06.2016           |          |

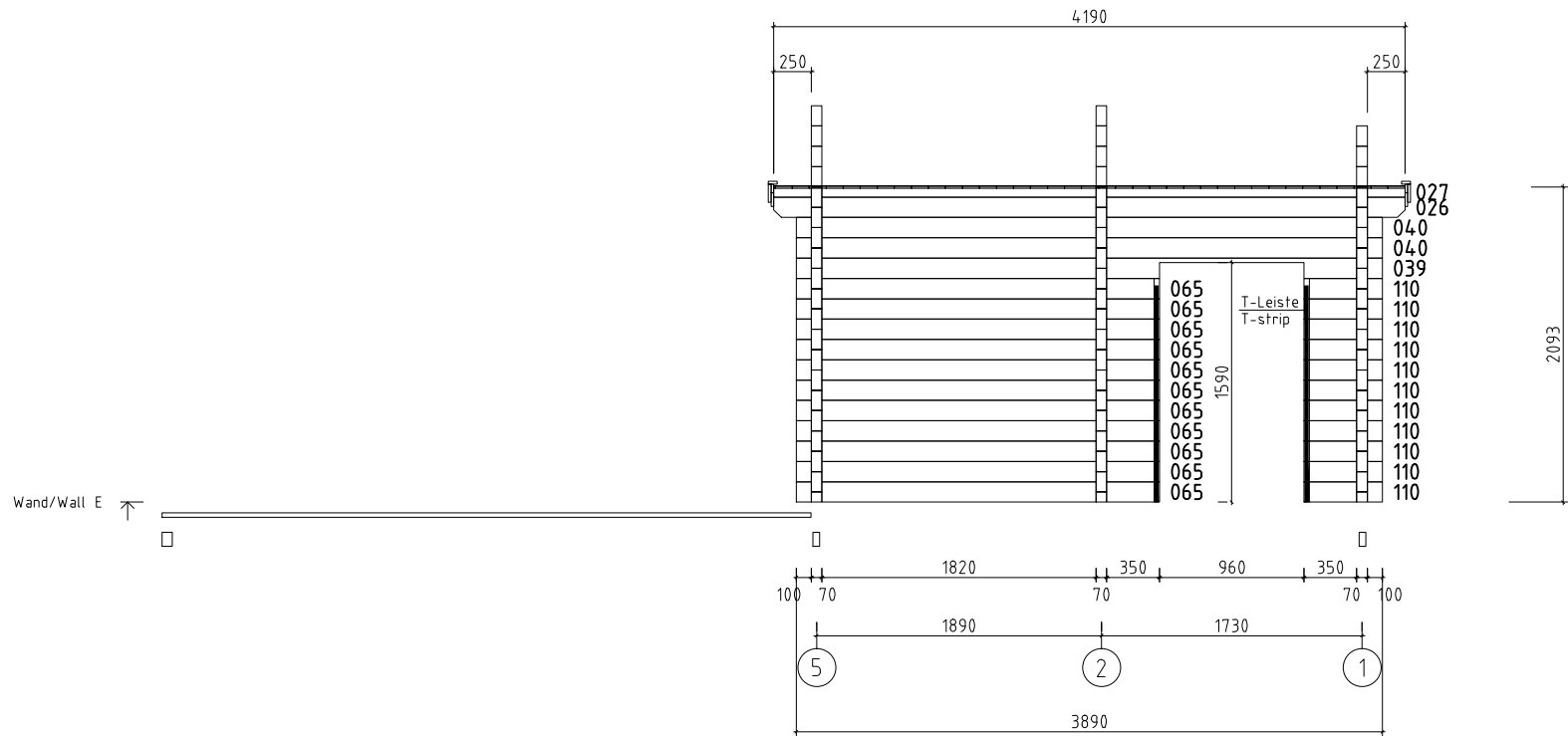


|                   |                      |                |            |
|-------------------|----------------------|----------------|------------|
| Name              | Dakota 730x720+VD 70 |                |            |
| Zeichnung/Drawing | WAND/WALL B          |                |            |
| Mootkava          | 1:50                 | Profil/Profile | 7.0x13.5   |
|                   |                      | Datum/Date     | 09.06.2016 |

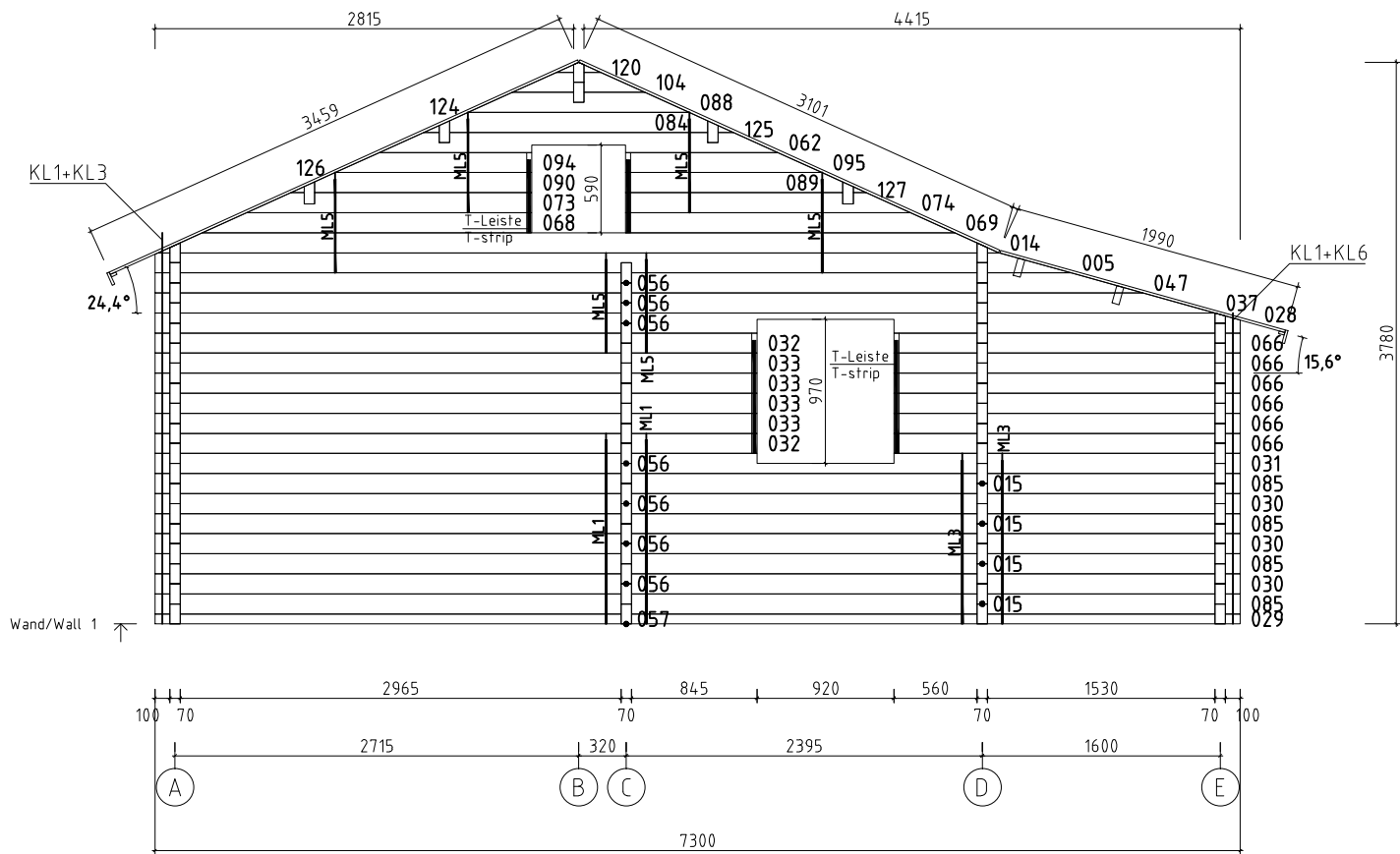


|                   |                      |                |          |
|-------------------|----------------------|----------------|----------|
| Name              | Dakota 730x720+VD 70 |                |          |
| Zeichnung/Drawing | WAND/WALL C          |                |          |
| Mootkava          | 1:50                 | Profil/Profile | 7.0x13.5 |
| Datum/Date        | 09.06.2016           |                |          |



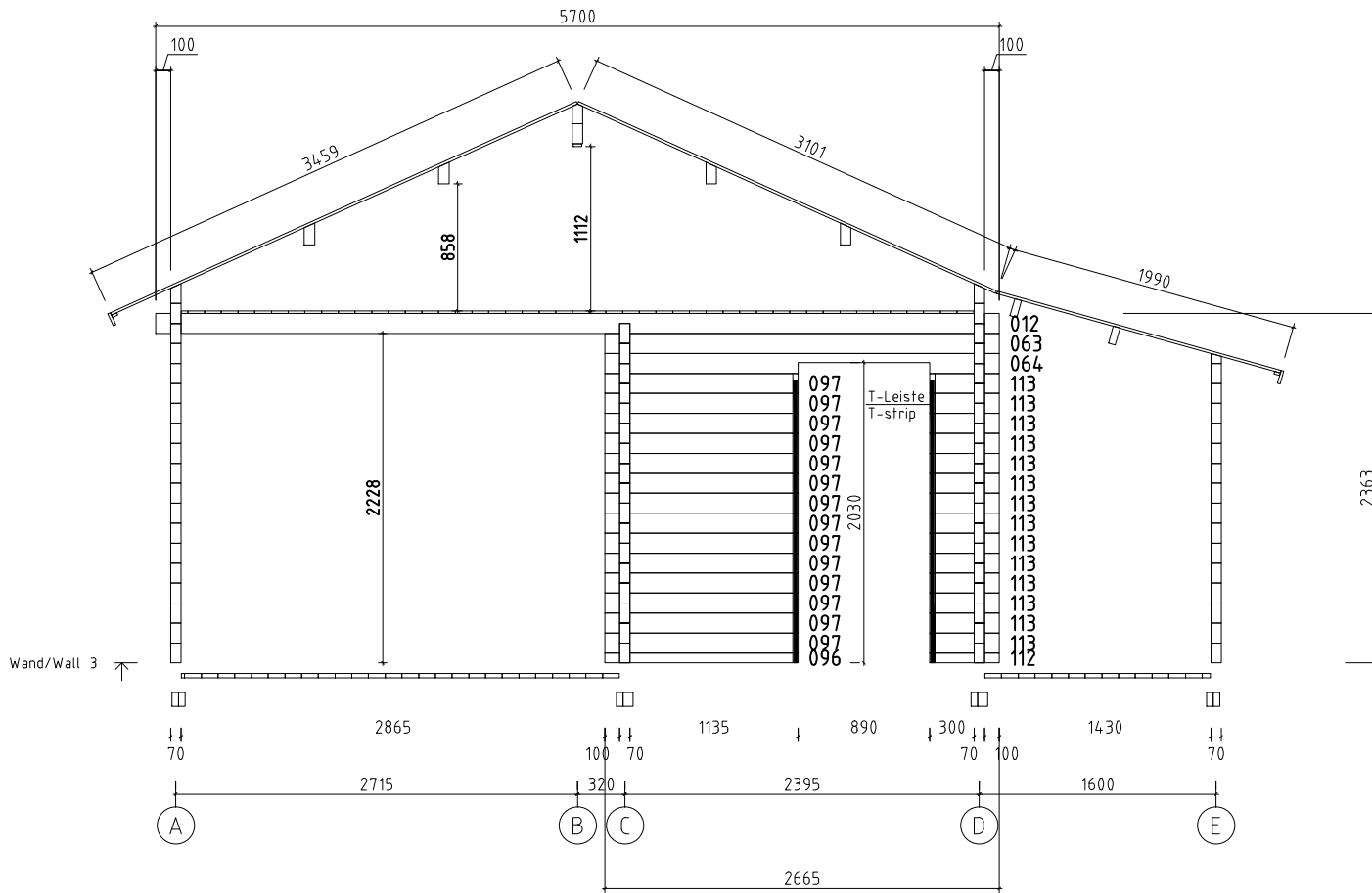


|                   |                      |                |          |
|-------------------|----------------------|----------------|----------|
| Name              | Dakota 730x720+VD 70 |                |          |
| Zeichnung/Drawing | WAND/WALL E          |                |          |
| Mootkava          | 1:50                 | Profil/Profile | 7.0x13.5 |
| Datum/Date        | 09.06.2016           |                |          |



|                   |      |                      |          |
|-------------------|------|----------------------|----------|
| Name              |      | Dakota 730x720+VD 70 |          |
| Zeichnung/Drawing |      | WAND/WALL 1          |          |
| Mootkava          | 1:50 | Profil/Profile       | 7.0x13.5 |
| Datum/Date        |      | 09.06.2016           |          |

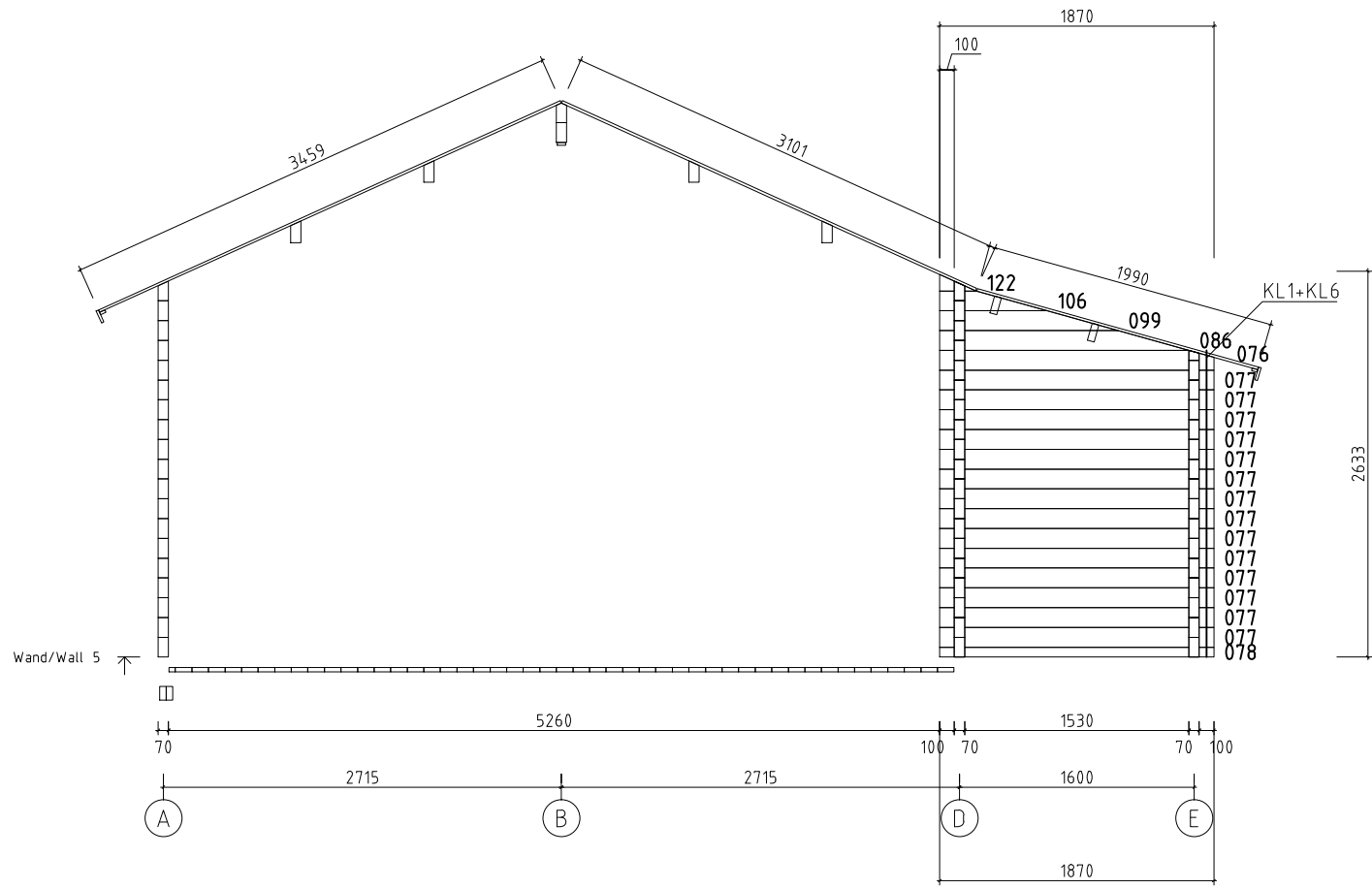




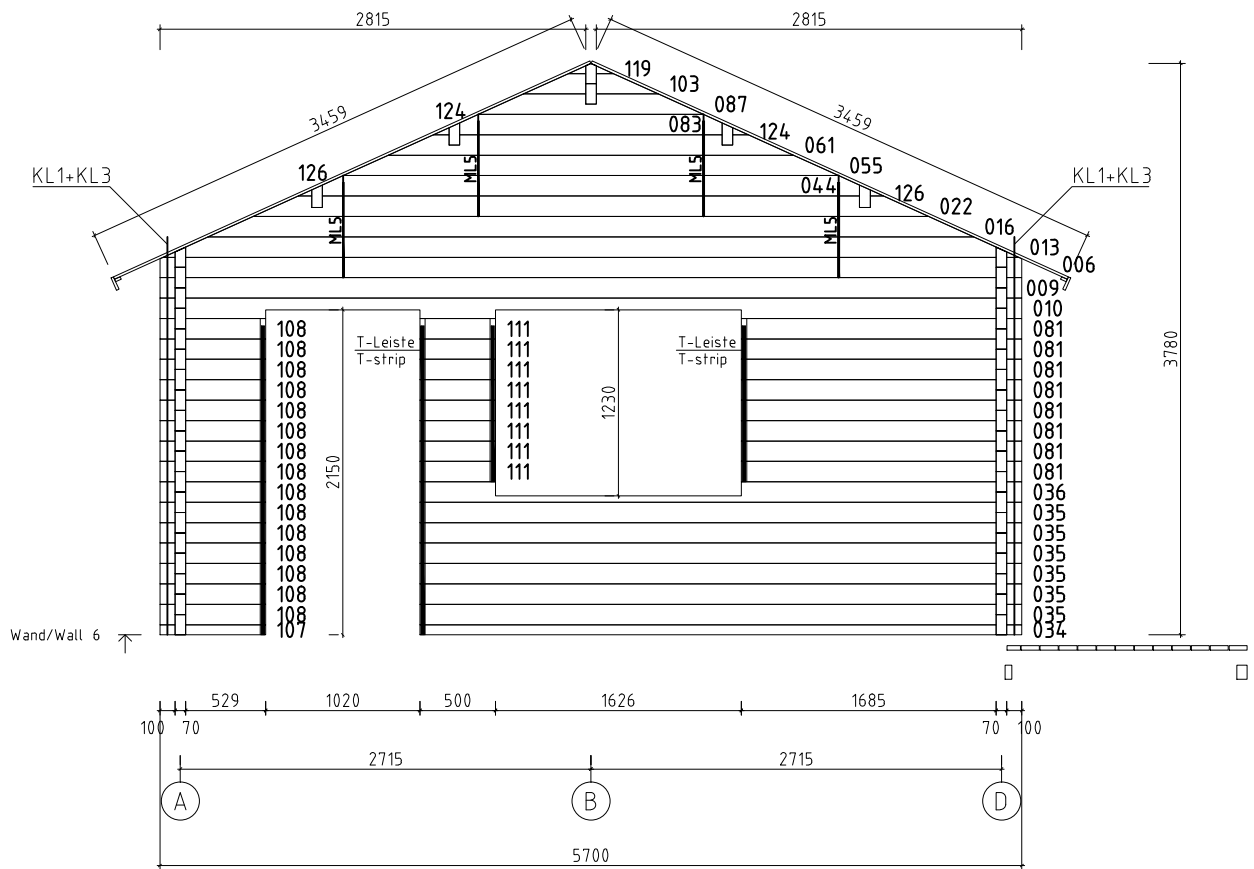
|                   |                      |                |            |
|-------------------|----------------------|----------------|------------|
| Name              | Dakota 730x720+VD 70 |                |            |
| Zeichnung/Drawing | WAND/WALL 3          |                |            |
| Mootkava          | 1:50                 | Profil/Profile | 7.0x13.5   |
|                   |                      | Datum/Date     | 09.06.2016 |



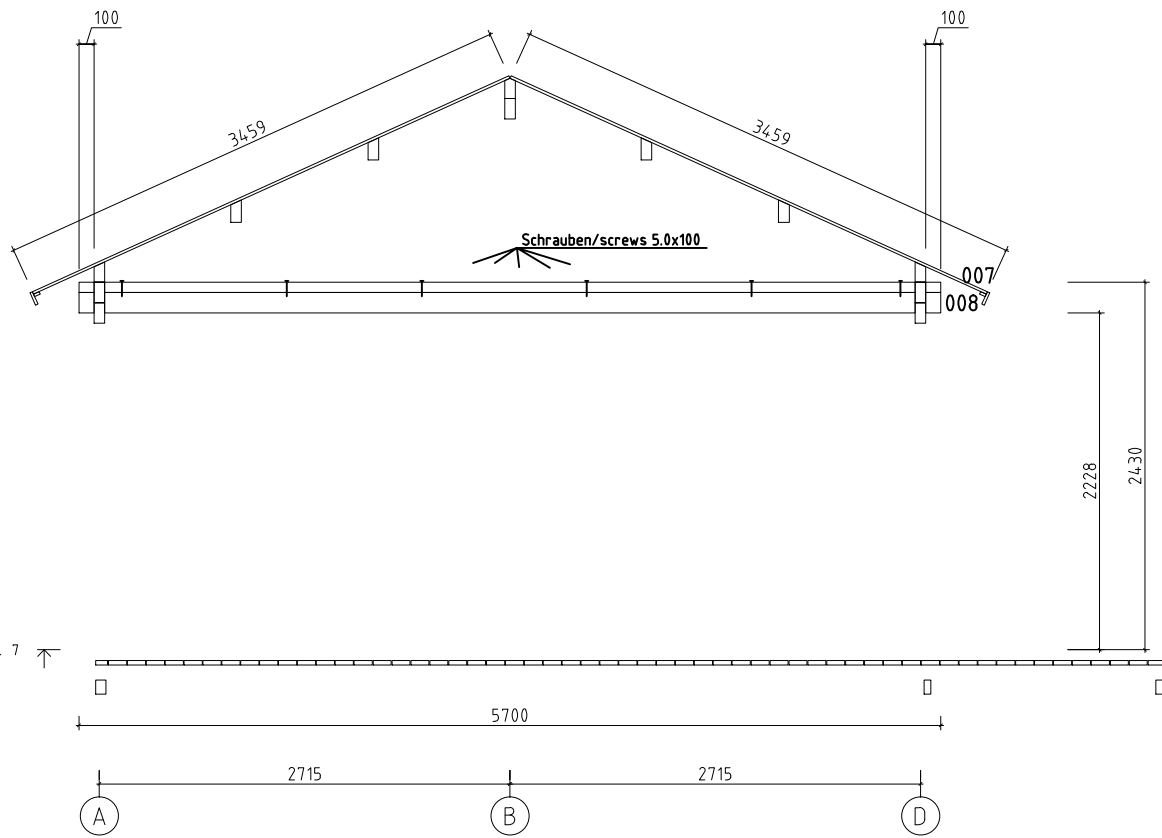




|                   |      |                      |            |
|-------------------|------|----------------------|------------|
| Name              |      | Dakota 730x720+VD 70 |            |
| Zeichnung/Drawing |      | WAND/WALL 5          |            |
| Mootkava          | 1:50 | Profil/Profile       | 7.0x13.5   |
|                   |      | Datum/Date           | 09.06.2016 |



|                   |      |                      |            |
|-------------------|------|----------------------|------------|
| Name              |      | Dakota 730x720+VD 70 |            |
| Zeichnung/Drawing |      | WAND/WALL 6          |            |
| Mootkava          | 1:50 | Profil/Profile       | 7.0x13.5   |
|                   |      | Datum/Date           | 09.06.2016 |



|                   |      |                      |          |
|-------------------|------|----------------------|----------|
| Name              |      | Dakota 730x720+VD 70 |          |
| Zeichnung/Drawing |      | WAND/WALL 7          |          |
| Mootkava          | 1:50 | Profil/Profile       | 7.0x13.5 |
| Datum/Date        |      | 09.06.2016           |          |