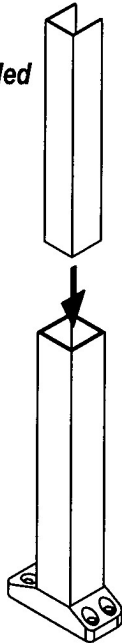


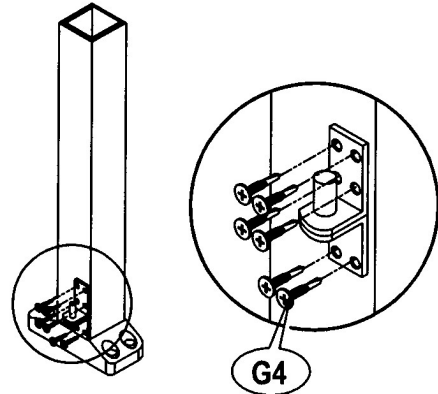
GATE ASSEMBLY

1. Insert the metal reinforcement in to the Post.

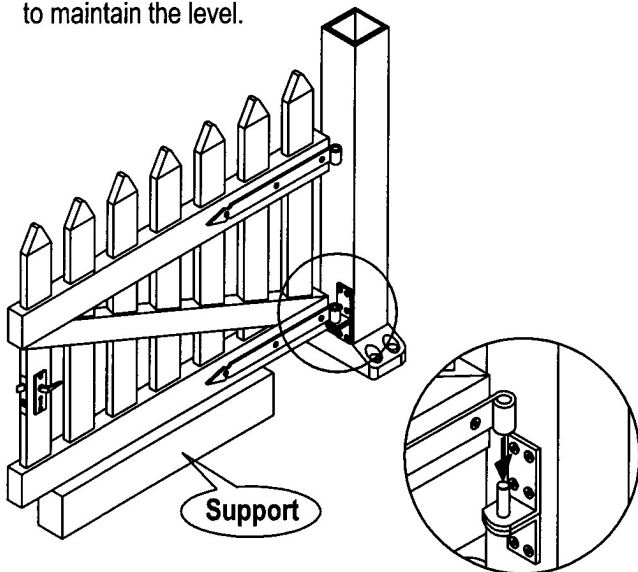
Note: Post is not included in this pack.



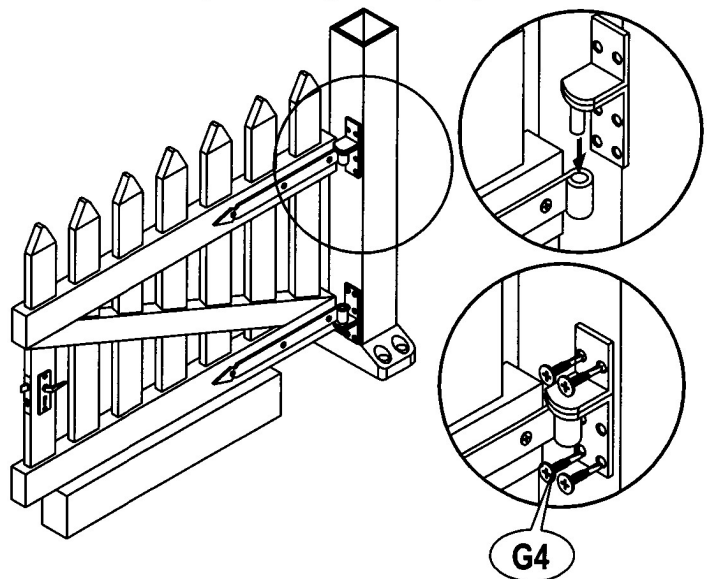
2. Fix the Hinges Hook to the Post with self drilling Screws (G4) at the bottom.



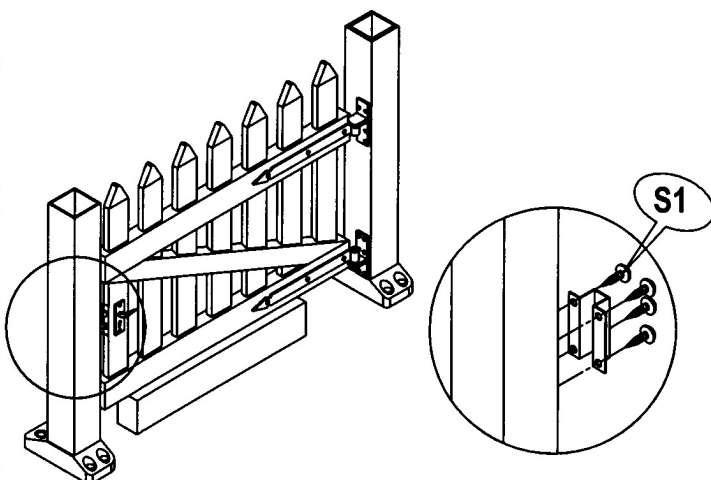
3. Locate the Hinge in to the Hook at the bottom and place a support under the gate to maintain the level.



4. Insert the Hook in to the Hinge and fix the Hook to the Post by self drilling Screws (G4)



5. Fix the Lock lever holder by drilling the holes on the Post and fix with (S1) screws.



6. Apply the Glue inside the Cap and fix to the Post.

