

MODEL 25/38/50/62/75



- 1, Thanks for selecting our products. Please read the introduction before construction.
- 2, Please wear gloves during work to escape the sharp corners' hurt.
- 3, Used to raise plants only! We can't assume any responsibility for any other usages!
- 4, No less than 2 operators work together when installing!
- 5, Any problem in installing, please contact with the distributors.

Do not instruct by force!

- 1, Proper place full of sunshine and against the wind!
- 2, Important introduction.

Do check all units on list complete or not before installing the raising-house. Take out the belted part of the package, you may identify each unit according to the marks on it. Any shortage, please contact with the supplier!

- 3, Necessary tools: one spin, a bolt wrench with 8-9mm
- 4, Serious warning.

After completing the instruction, you can clean the house again with neutral detergents having no corrosion to aluminum frame and pinchcock.

Infrastructural facilities:

When used, infrastructural facilities must be at right angles to the horizontal and vertical.

When using following with our products, you can instruct according to the eighth part of introduction.

Attention! If there is poor protection and strong wind near the house, please install all 8-F sets according to the eighth part of the introduction. Please drill in proper place in order to connect the raising house and infrastructural facilities tightly.

Side units

Put all of the units on the ground as picture 1 showing. Loosen connections of the bolt to make them connect with each other.

Attention! When install unit 1015 fitting the inclined-supporting unit 1012, we must put in a no-loading bolt first as picture 1.1 showing, or it would take difficulties to install unit 1012.

Blind gable.

Put all of the assemblies on the ground as picture 2 showing. Loosen connections of the bolt to make them connect with each other.

When install the crosswise supporting units 1017 & 1013, we must put in a no-loading bolt first as picture 1.1 showing, or it would take difficulties to install unit 1013.

Door gable.

Put all of the assemblies on the ground as picture 3. Loosen connections of the bolt to make them connect with each other.

Slideway of the door, unit 1029, must be installed to the horizontal orbit on the top of the door. Loosen 2 bolts on the orbit and make it sliding into unit 1029 as picture 3.4 showing. In the direction of opening the door, you can correct and tighten the slideway by turning right or left.

Attention! As picture 3.5 & 3.6 showing, the tightened bolt is used to limit the sliding range.

**Units combination**

Join side and corner units together as showing in pictures 4.7&4.2.

After installing roof,unit 1036, should install the units in picture 4.4/4.3 as showing in picture 4.5 .

Attention! Before installing roof-supporting units to match the top window , must install a no-loading bolt first,or it would take difficulties for installing the top window. Before installing every roof-supporting unit of madel 75,must install a no-loading bolt first in oder to install & tighten unit 1036.

Put the completed house on the insfrastructural facilities and keep flexible. Use 8-F unit to connect the two parts. Check the raising house to be right angle type or not. Any defect, must adjust it according translation and then tighten the bolt but should not too tight. Install the protective cover onto the frame 4.1,and connect the supporting units of slideway & gable wall.

Door.

Push unit 1055 of two doors into unit 1044 as picture 5.4 showing,install the rolling unit 1056 top of the door as picture 5.1 showing and install the units of door as picture 5 showing. After assembling the door,push the door into the slideway,keep both the top & bottom of the door inside of the slideway.After completing the door, equip a bolt,door-stopping unit, to the slideway's end and adjust the doorin order to move smoothly as picture 3.6 showing.

Top window.

Assembly top window as picture 6.1/6.2.6.3 showing,and install unit 1061.Attention! The top window must be at right angle.

Install units 1052&1050 as picture 6.6 showing, and push them into top window as as picture 6.5 showing.Test the top window in the correct position or not according picture 6.7.

Pave clapboard.

Install all clapboards as picture 7 showing,and pave beads as picture 7.2/7.3/7.4/7.5/7.6/7.7/7.8 showing. Pressurize spring as picture 6.7 showing.

Remonve approximately 5cm from all edges of protective film before installing.And remove the protective film immediately after completing the installation .Then cover again to protect the panel surface until completing the construction.

Attention!

Strictly forbid to use sharp tools when remove the protective film.

Do not walk on the the clapboard!

Do not contact with alkalines,alkai salts, amines ketones,ldenhydres,esters,ethters,chlorinated hydrocarbons,aromatic hydrocarbons,methanol,isopropanol,asphalt,putty and so on.

Final hand opertion.

Use silica gel to seal the seam of raising house when necessary.The silica gel is not involved in our suppling range.

Put up posters on the wall inside of the house.

Any fittings' problem, please contact with the distributor.

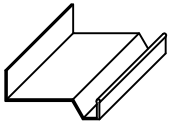
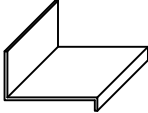
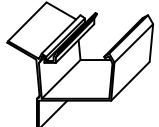
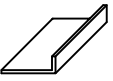
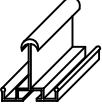
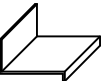

Advice.

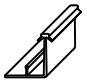
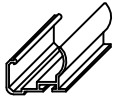
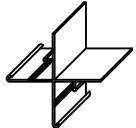

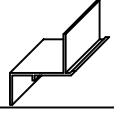
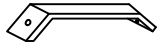
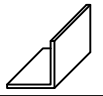

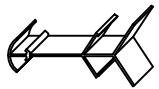
Please close the door and windows in strongly windy day!

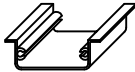
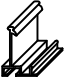



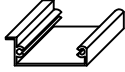

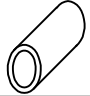
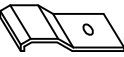

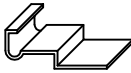

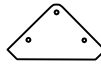

Advise to buy housing insurance just in case.

















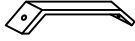
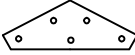
After completing the instruction,please put up identified marks in proper postion of the house.

Please keep this installing introduction!

NO.		MODEL					Section	
		25	38	50	62	75		
1001		1	1	1	1	1	3	
1002		2					1	
1003			2				1	
1004					2		1	
1005						2	1	
1006							2	1
1007			2					1
1008			2				1	
1009				2			1	
1010					2		1	
1011						2	1	
1012			6	8	8	8	8	1-3
1013	1		1	1	1	1	2	
1014	2		2	2	2	2	3	
1015		2	4	6	8	10	1	
1016		2	4	6	8	10	4	
1017		1	1	1	1	1	2	
1018		1	1	1	1	1	2	
1019		1	1	1	1	1	2	
1020		1	1	1	1	1	3	

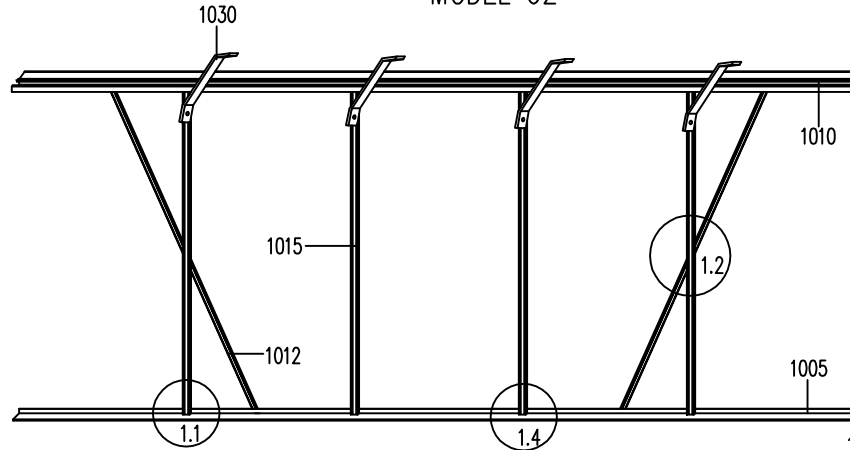
NO.		mm	MODEL					Section
			25	38	50	62	75	
1021			1	1	1	1	1	3
1022			1	1	1	1	1	3
1023			4	4	4	4	4	2-3
1024			1	1	1	1	1	2
1025			1	1	1	1	1	2
1026			1	1	1	1	1	3
1027			1	1	1	1	1	3
1028				4	4	4	4	4
1029			1	1	1	1	1	3
1030			2	4	6	8	10	1
1031			1	1	1	1	1	4
1032			1	1	1	1	1	5
1033			1					4
1034				1				4
1035					1			4
1036						1		4
1037							1	4

NO.		MODEL					Section
		25	38	50	62	75	
1038		2	2	2	2	2	5
1039		2	2	2	2	2	5
1040		2	2	2	2	2	5
1041		4	4	4	4	4	4
1042		8	8	8	8	8	4
1043		1	1	1	1	1	5
1044		1	1	1	1	1	5
1045		1	1	1	2	2	6
1046		2	2	2	2	2	5
1047		0	2	2	4	4	6
1048		0	1	1	2	2	6
1049		0	1	1	2	2	6
1069		12	12	12	12	12	4
1090		1	1	1	1	1	5

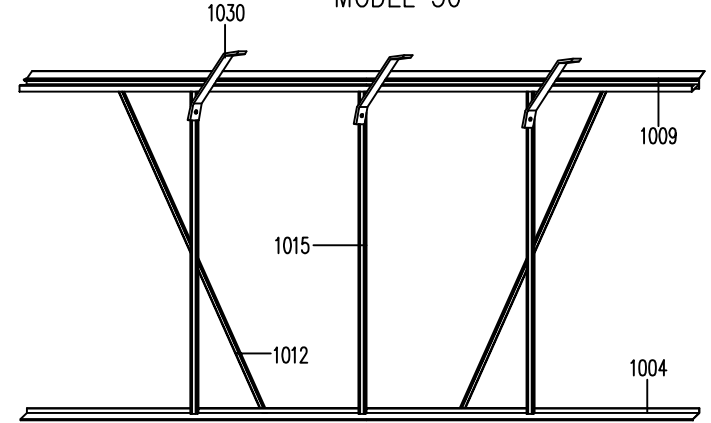
NO.			MODEL					Section
			25	38	50	62	75	
1050			0	1	1	2	2	6
1051		M6X10	122	146	158	168	154	1-6
1052			2	2	2	4	4	6
1053		M4	2	2	2	2	2	5
1054			45m	54m	64m	74m	84m	7
1055			2	2	2	2	2	5
1056			2	2	2	2	2	5
1057			144	172	204	232	264	7
1058		M6X40	1	1	1	1	1	5
1059		No.6X6	6	6	6	12	12	5
1060		M6	84	100	110	124	154	1-6
1061			1	1	1	2	2	6
1062			1	1	1	1	1	5
1063		M4	2	2	2	2	2	5
1064		M4X16	2	2	2	2	2	5
1065		No.6X16	16	16	16	16	16	5
2072			1	2	3	4	5	4
2067			2	2	2	2	2	2-3

MODEL	25	38	50	62	75
1002	1002	1003	1004	1005	1006
1003	2	2	2	2	2
1004					
1005					
1006					
1007	1007	1008	1009	1010	1011
1008	2	2	2	2	2
1009					
1010					
1011					
1012	2	4	4	4	4
1015	2	4	6	8	10
1030	2	4	6	8	10
1060	10	20	24	28	42
1051	10	20	24	28	42

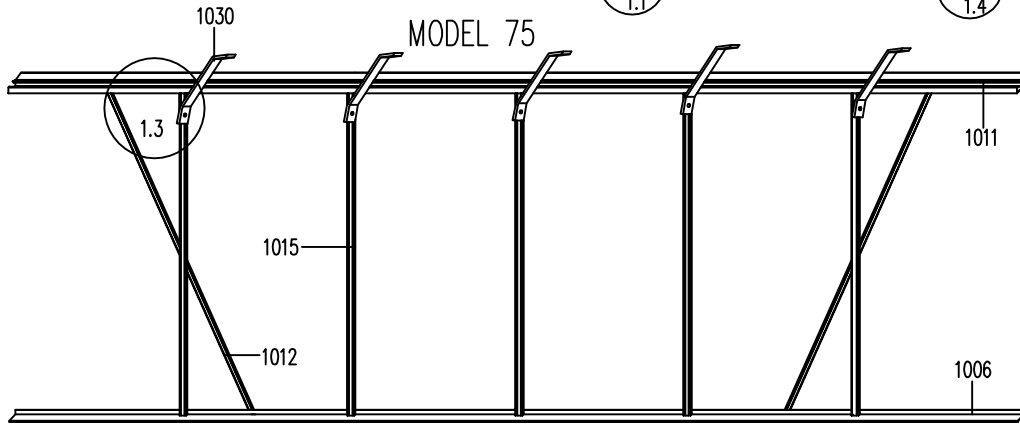
MODEL 62



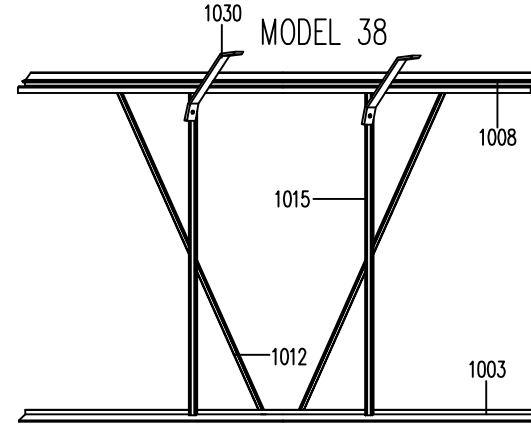
MODEL 50



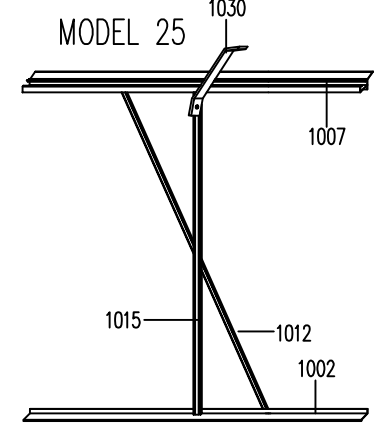
MODEL 75



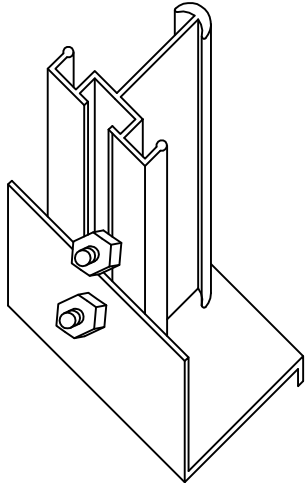
MODEL 38



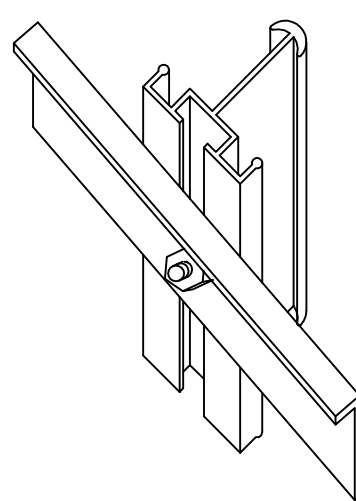
MODEL 25



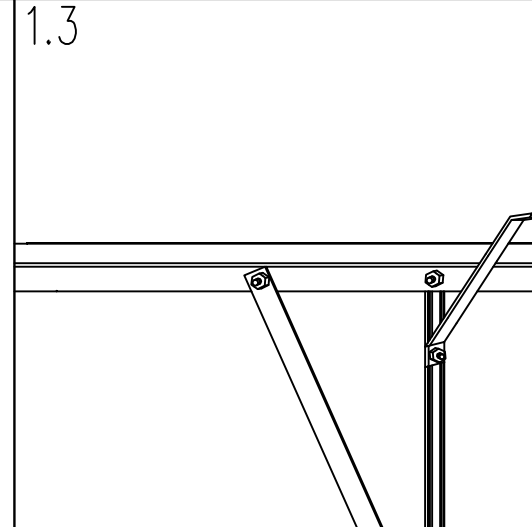
1.1



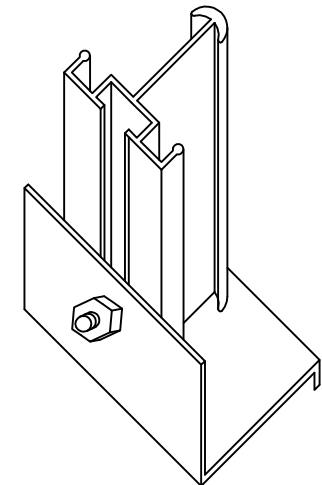
1.2



1.3

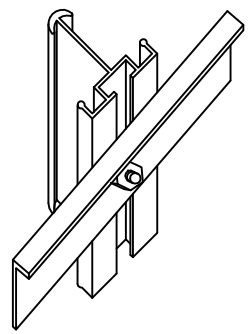


1.4

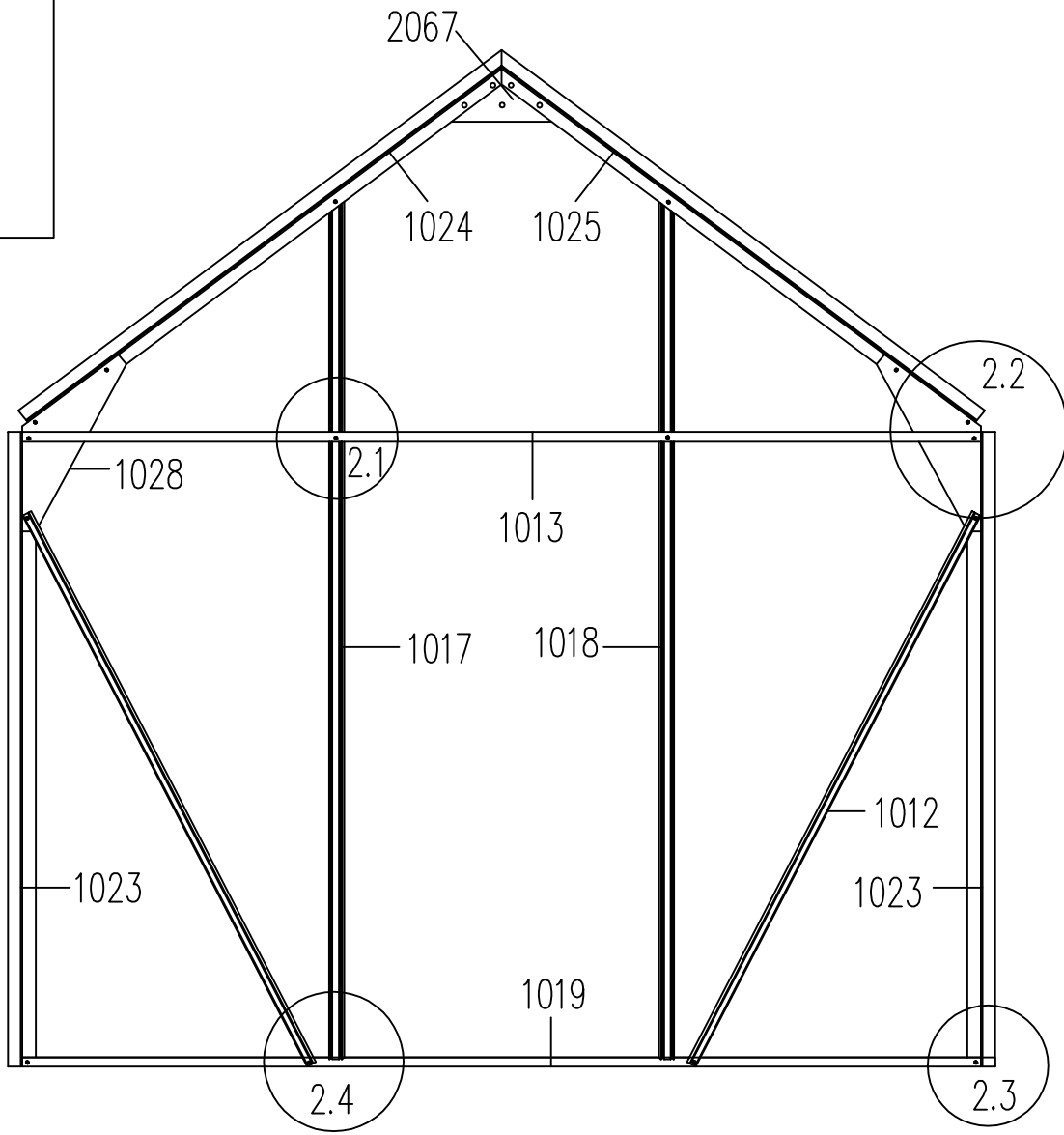


2

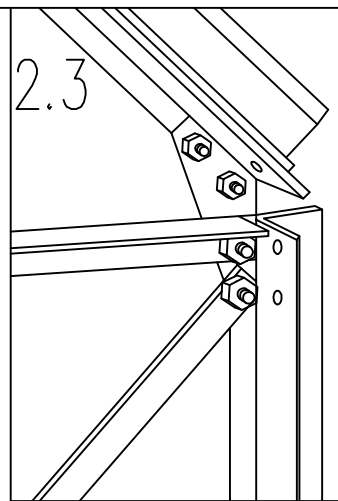
2.1



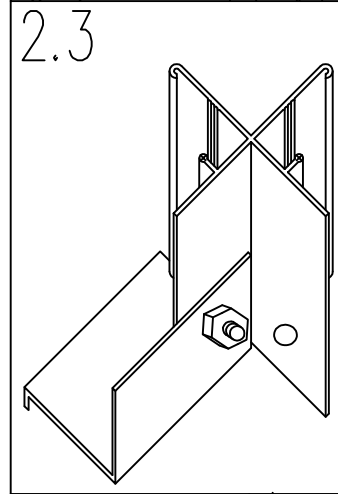
1019	
1	
1012	
2	
1023	
1	
1023	
1	
1024	
1	
1025	
1	
1013	
1	
1017	
1	
1018	
1	
1028	
2	
1060	
18	
1051	
18	
2067	
1	



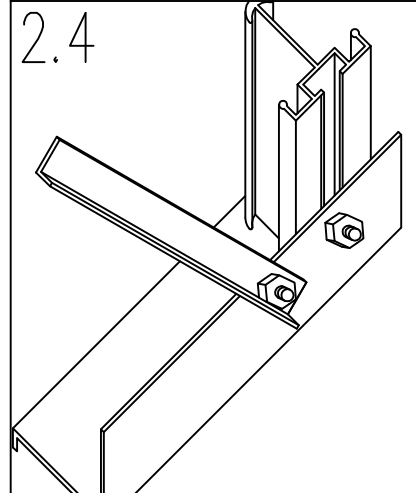
2.3



2.3

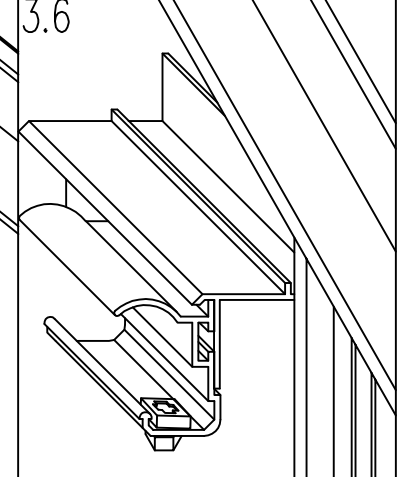
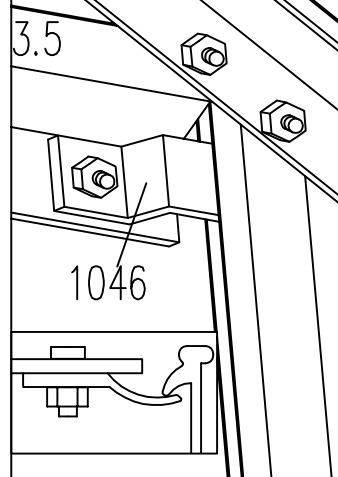
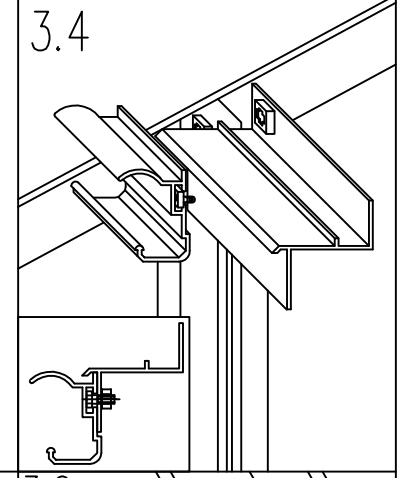
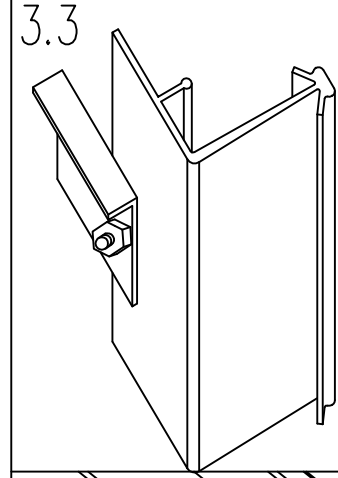
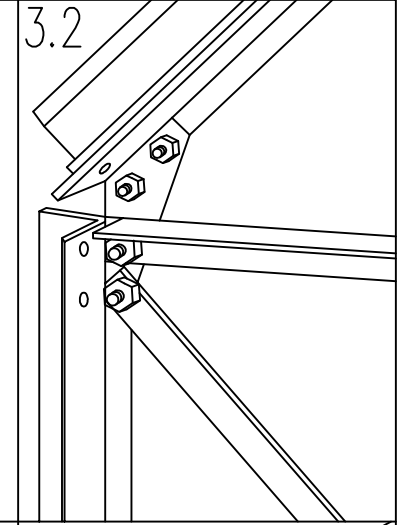
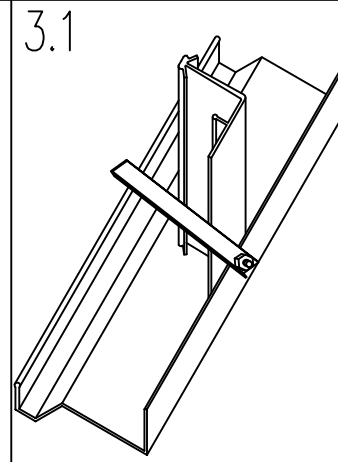
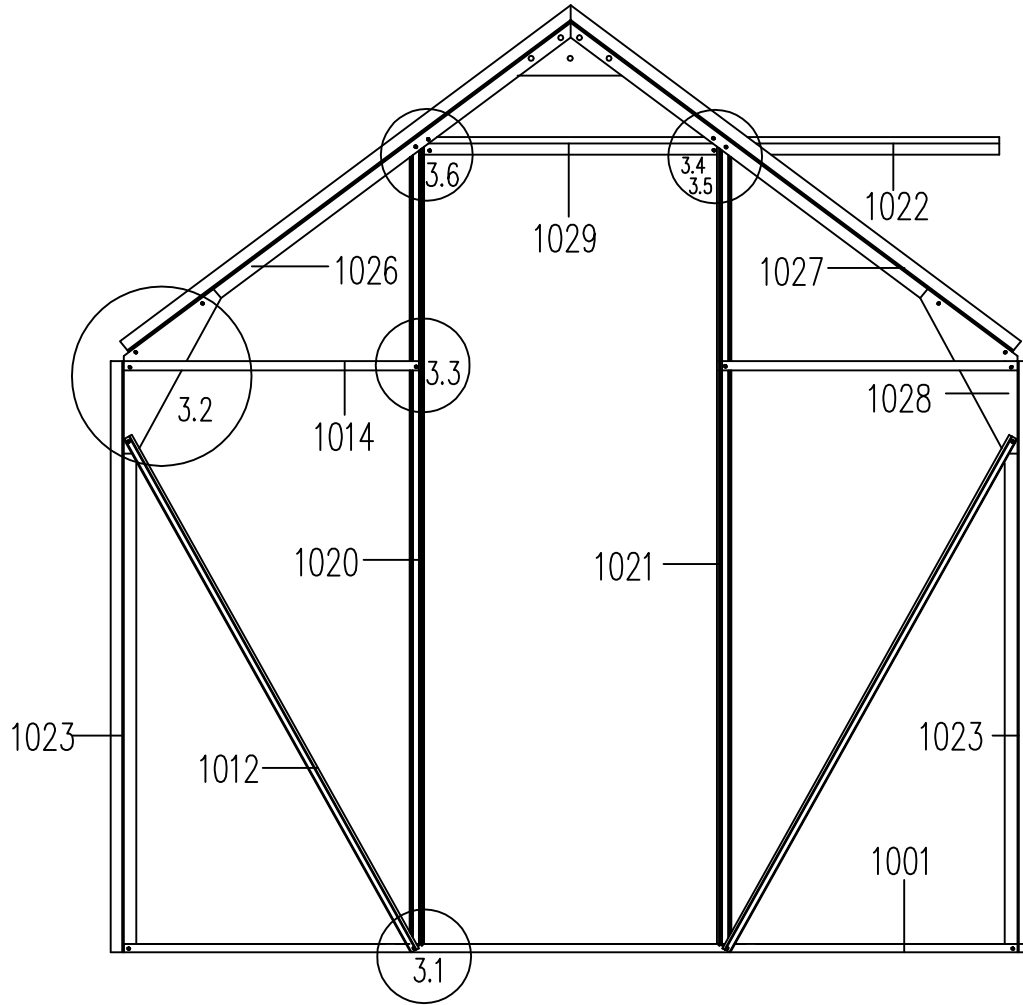


2.4



# 3

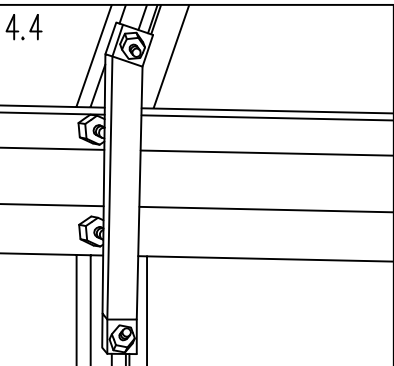
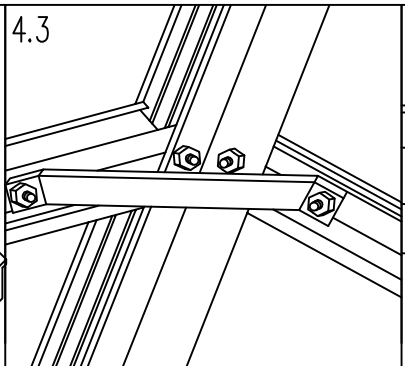
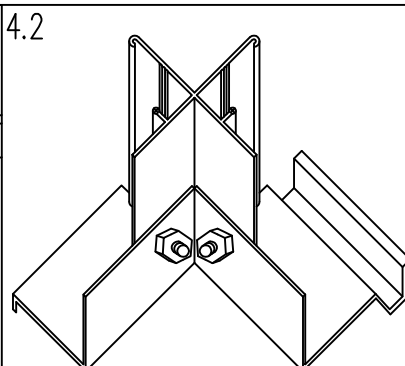
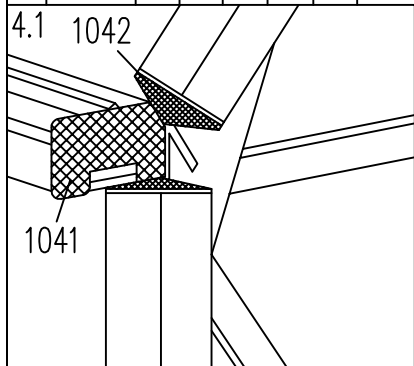
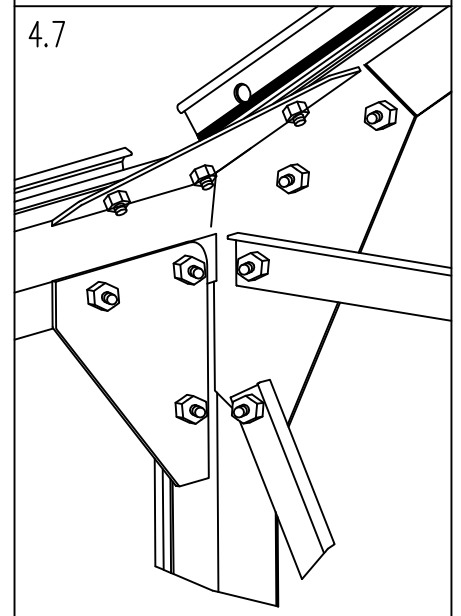
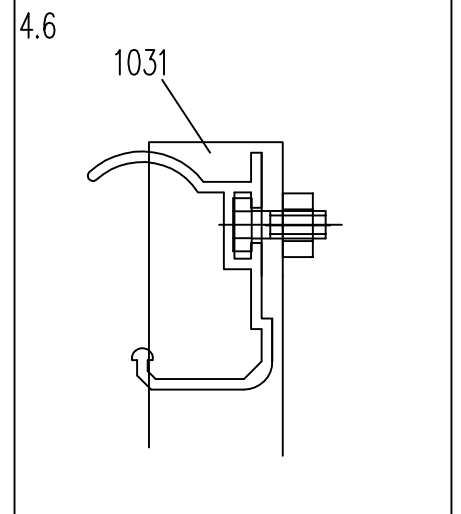
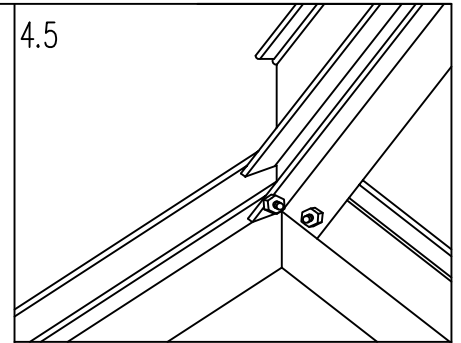
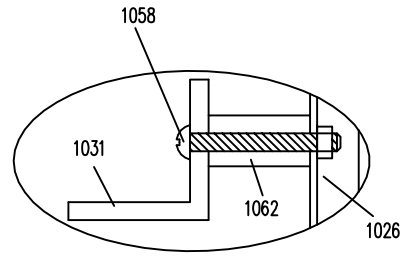
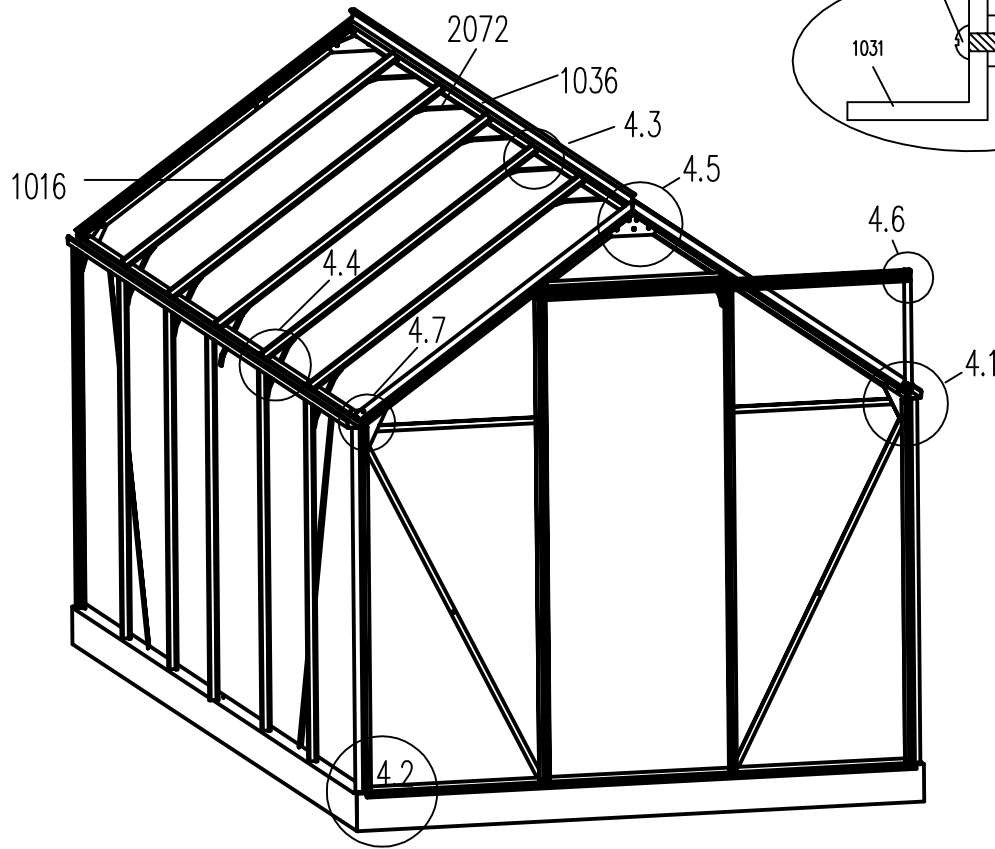
1001	
1	
1012	
2	
1023	
1	
1023	
1	
1020	
1	
1021	
1	
1022	
1	
1026	
1	
1027	
1	
1014	
2	
1029	
1	
1028	
2	
1060	
18	
1051	
18	





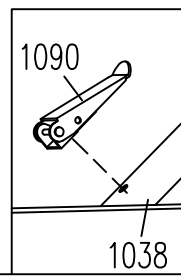
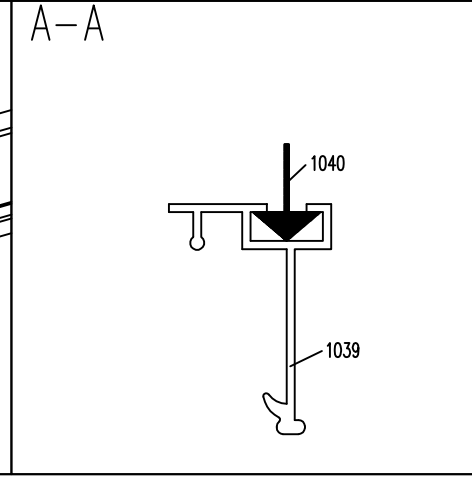
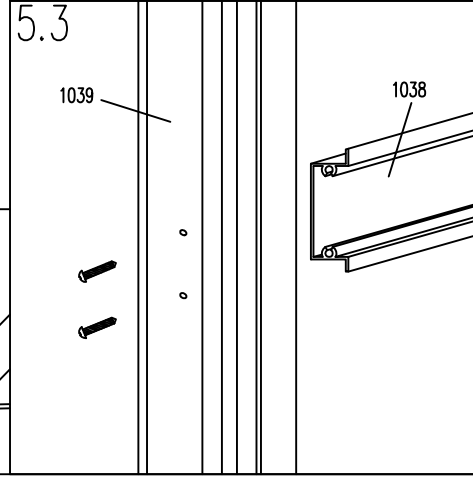
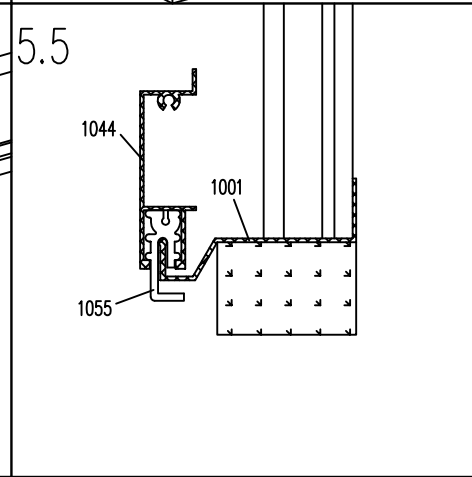
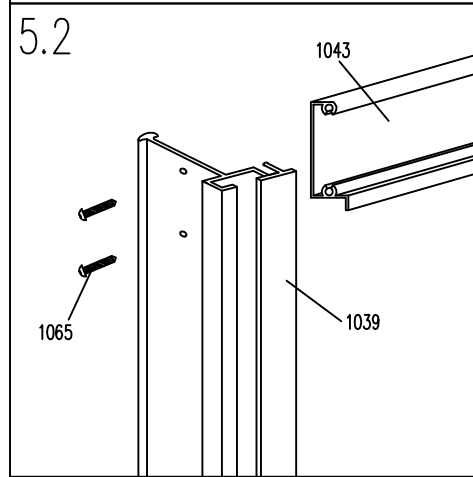
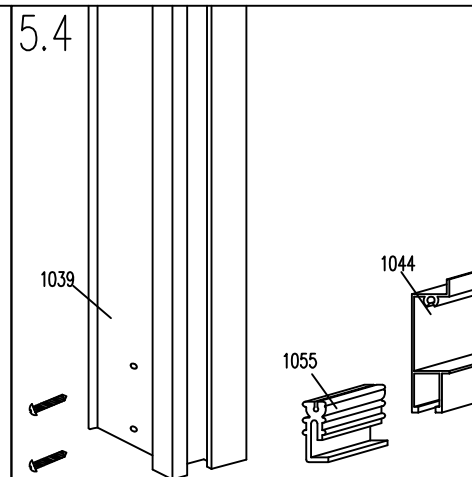
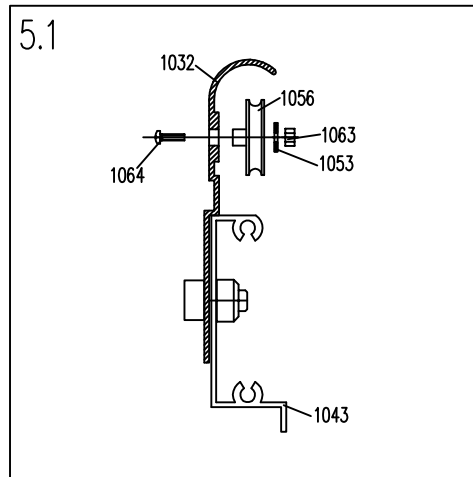
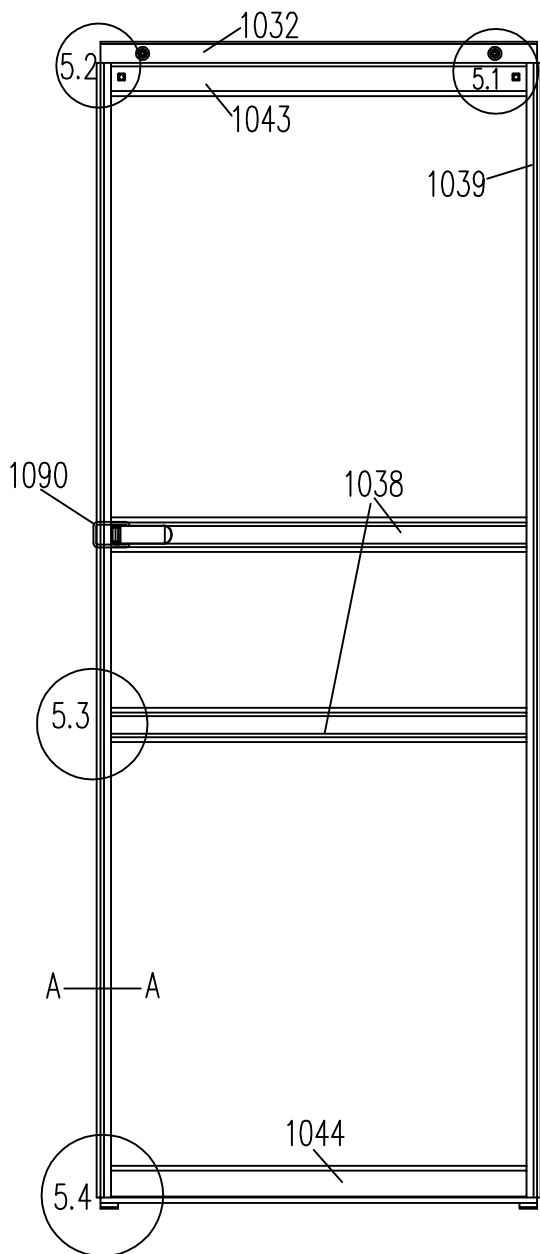
4

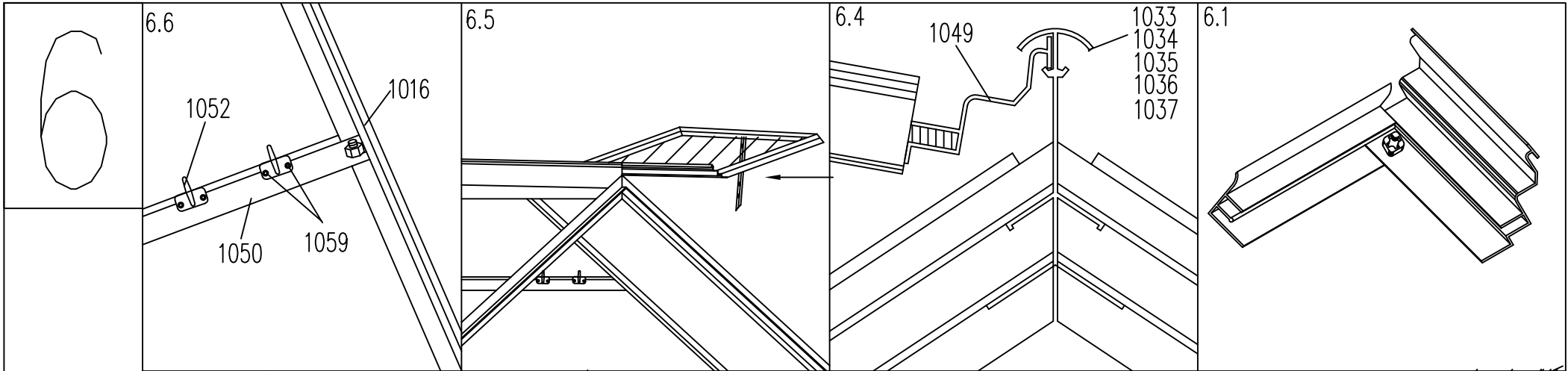
MODEL	25	38	50	62	75
1033 1034 1035 1036 1037	1033	1034	1035	1036	1037
	1	1	1	1	1
1041	4	4	4	4	4
1031	1	1	1	1	1
1016	2	4	6	8	10
1030	2	4	6	8	10
1042	8	8	8	8	8
1062	1	1	1	1	1
1060	11	17	23	29	45
1051	10	16	22	28	44
1058	1	1	1	1	1
2072	2	4	6	8	10
2069	2	2	2	2	2
1028	12	12	12	12	12



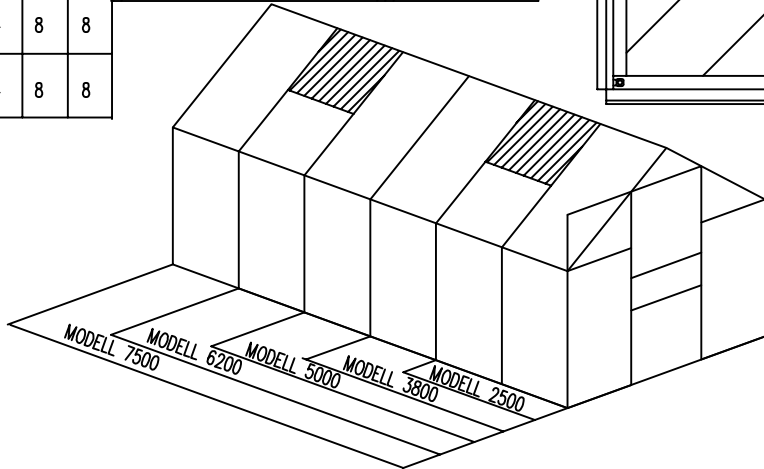
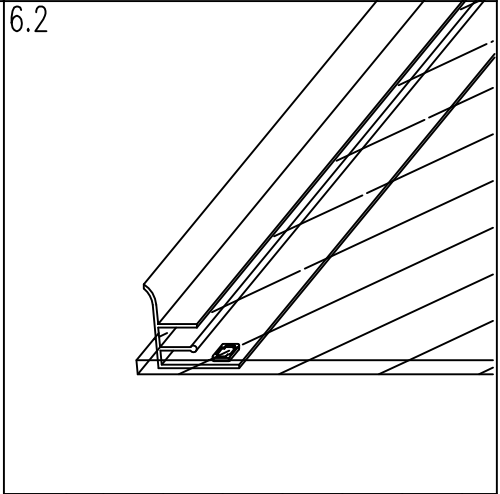
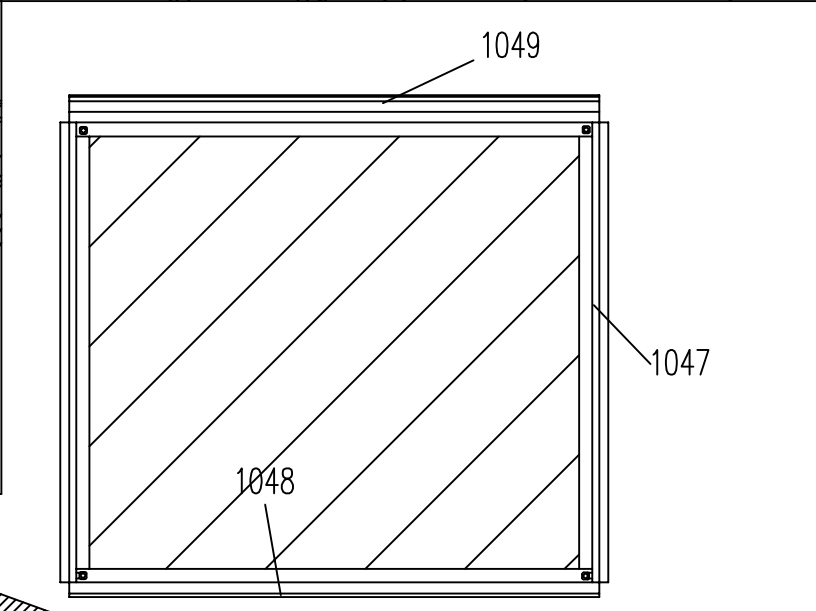
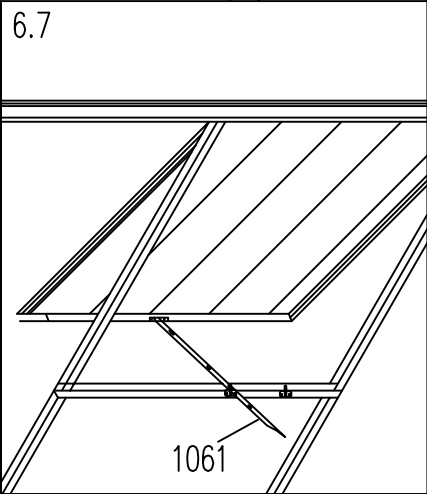
# 5

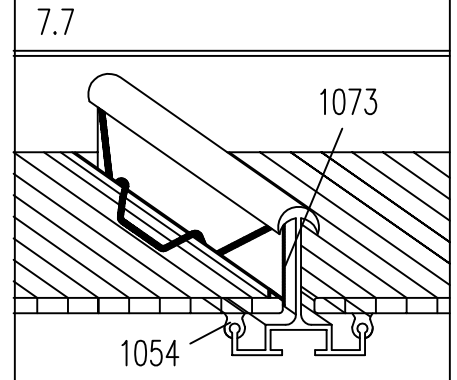
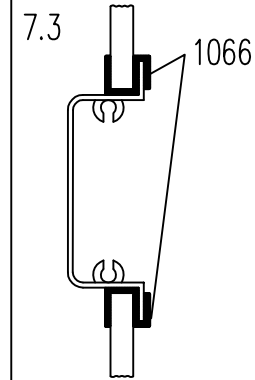
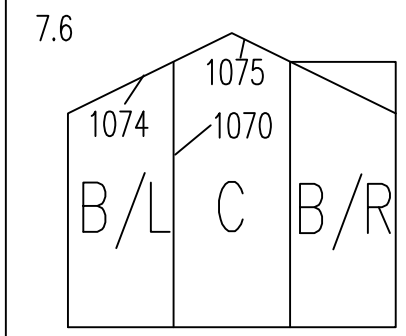
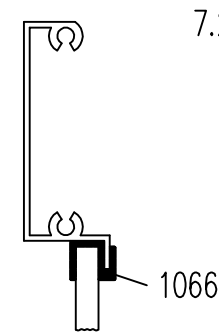
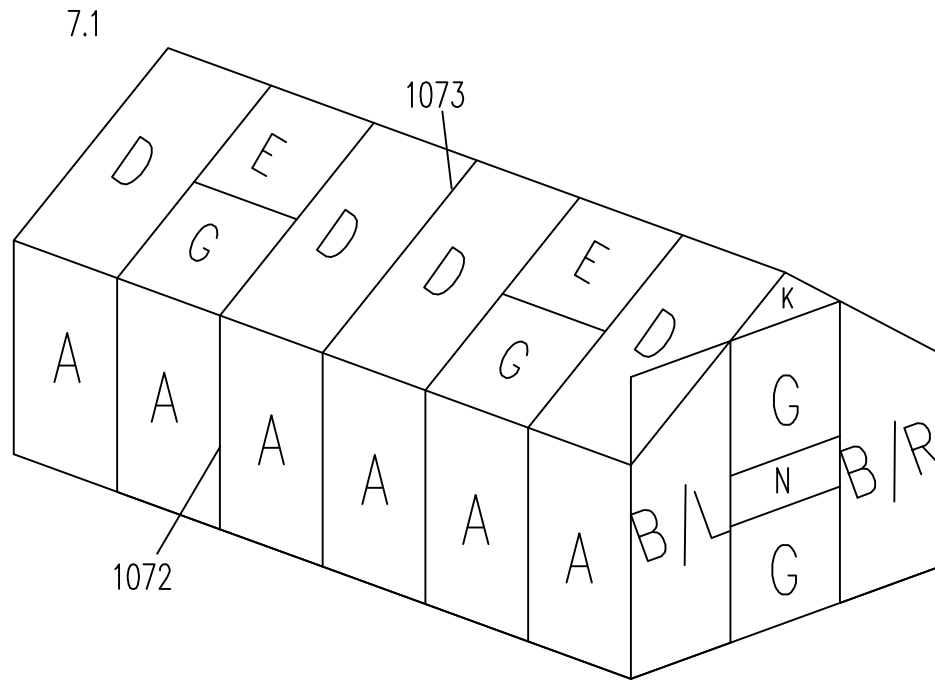
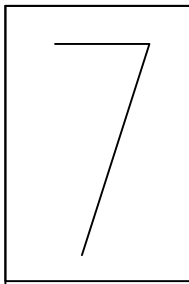
1032	
1	
1043	
1	
1039	
2	
1038	
2	
1044	
1	
1056	
2	
1064	
2	
1053	
2	
1055	
2	
1065	
16	
1040	
2	
1060	
2	
1051	
2	
1063	
2	
1031	
1	
1090	
1	



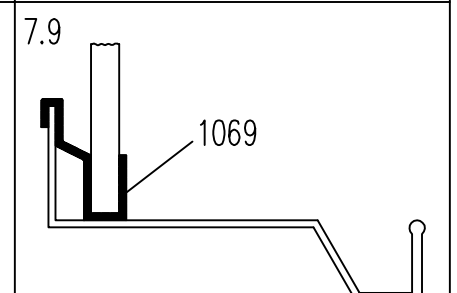
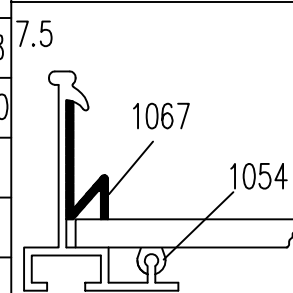
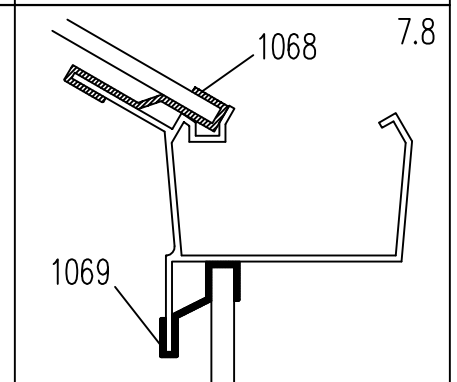
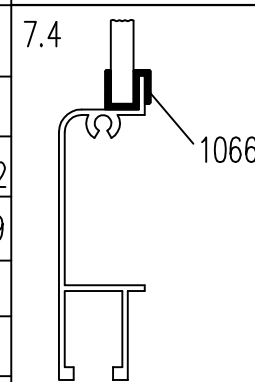


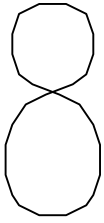
MODEL	25	38	50	62	75
1047	2	2	2	4	4
1048	1	1	1	2	2
1049	1	1	1	2	2
1050	1	1	1	2	2
1052	2	2	2	4	4
1059	6	6	6	12	12
1061	1	1	1	2	2
1060	4	4	4	8	8
1051	4	4	4	8	8

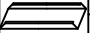


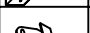






		25	38	50	62	75	No.		L	25	38	50	62	75
7-A	1212X615	4	6	8	10	12	1066		600	6	7	7	8	8
7-B/L	1665/1240X615	2	2	2	2	2	1068		580	4	6	8	10	12
							1069		580	13	17	21	25	29
7-B/R	1665/1233X615	2	2	2	2	2	1071		530	1	1	1	1	1
7-C	1885/1665X615	1	1	1	1	1	1070		1650	6	6	6	6	6
7-D	1147X615	4	5	7	8	10	1067		600	4	6	6	8	8
							1072		1200	12	16	20	24	28
7-E	602X550	0	1	1	2	2	1073		1120	8	10	14	16	20
7-G	615X608	2	3	3	4	4	1074		700	4	4	4	4	4
7-K	615X20/234	1	1	1	1	1	1075		340	4	4	4	4	4
7-N	615X228.5	1	1	1	1	1	1078		225	2	2	2	2	2





MODEL	25	38	50	62	75
8-A 	1	1	1	1	1
8-B 	2	2	2	2	2
8-C 	2	2	2	2	2
8-D 	9	10	11	12	13
1060 	8	8	8	8	8
1051 	8	8	8	8	8

