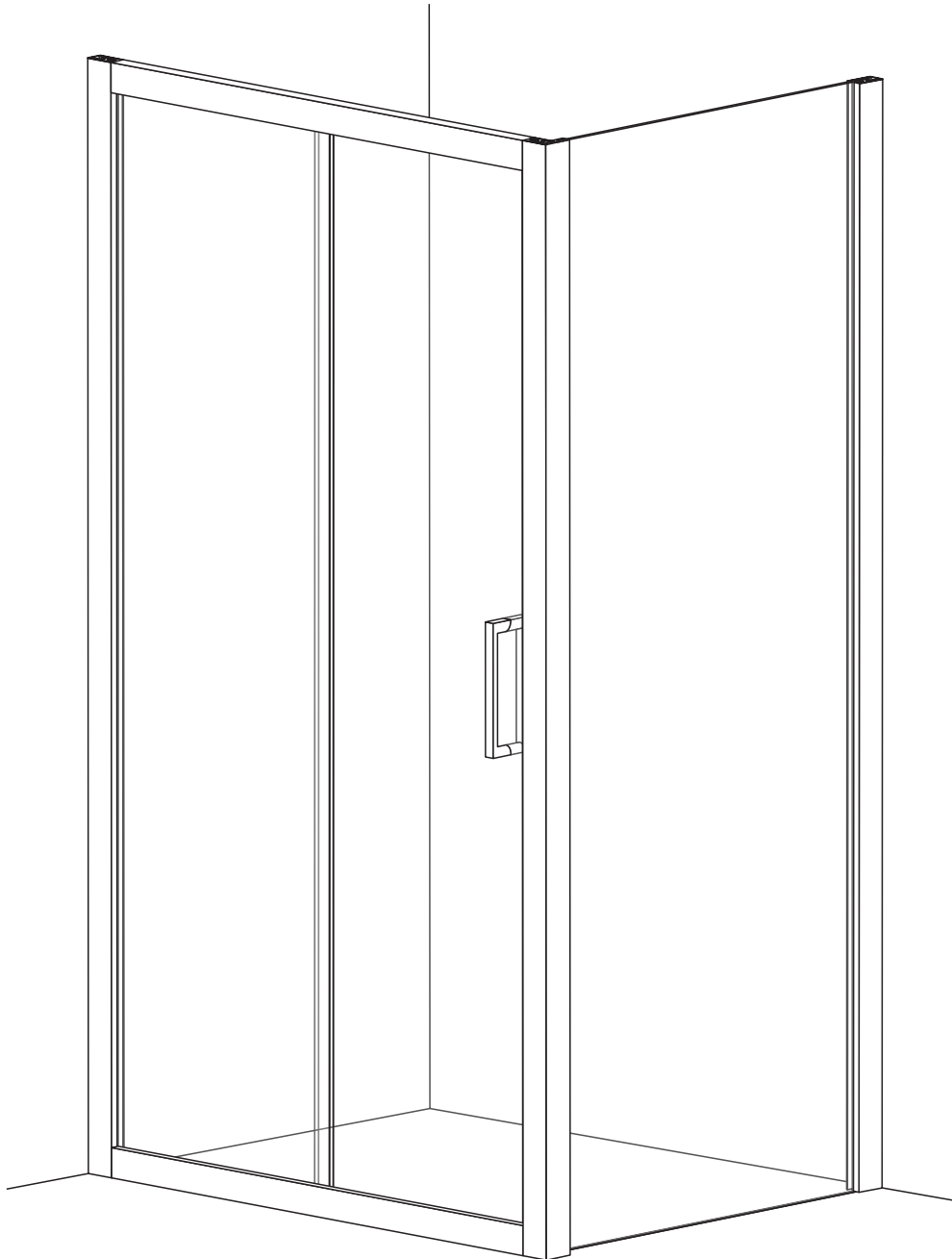


EAB003+EAB004

Installation instructions



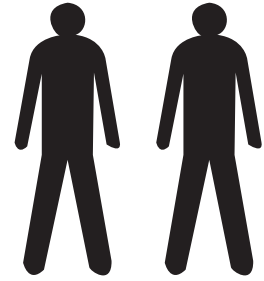
SIZE:120*90*190 cm

Installation instructions

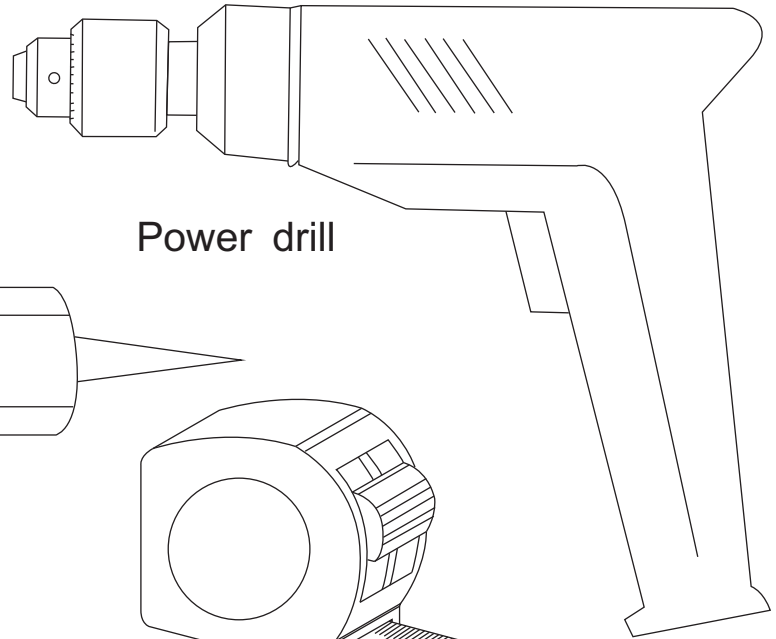
TOOLS REQUIRED(NOT SUPPLIED)

when you're ready to start. make sure that you have the following tools to hand, plenty of space and a clean dry area for assembly.

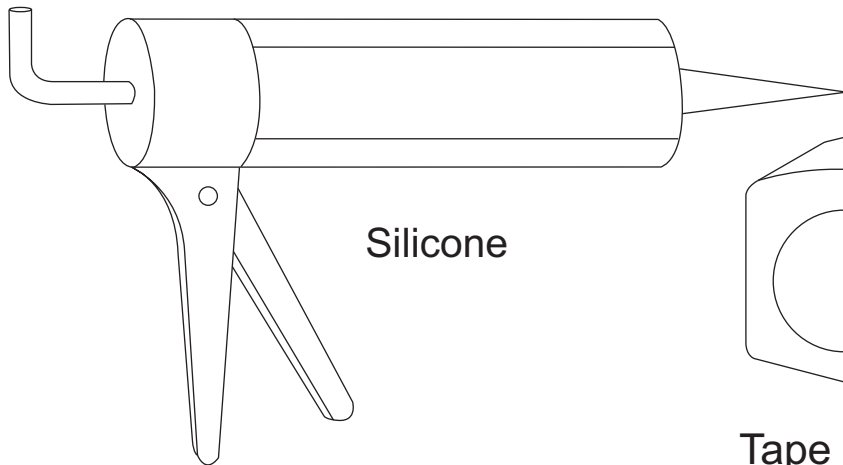
Two people are needed. Please note: Although these instructions are comprehensive, We always recommend that a technically competent installer should undertake installation.



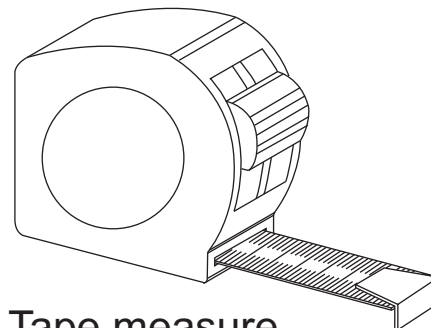
Drill bit to suit wall type
5.5mm



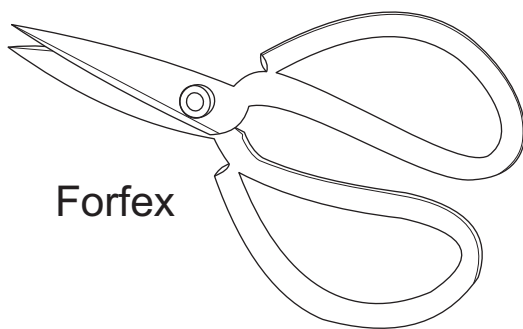
Power drill



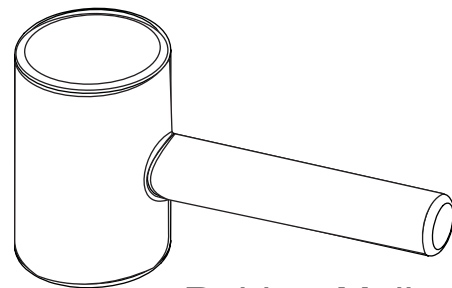
Silicone



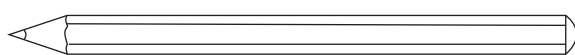
Tape measure



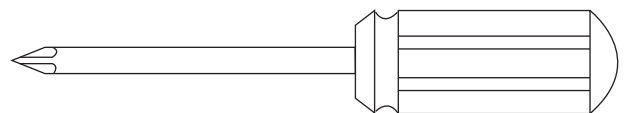
Forfex



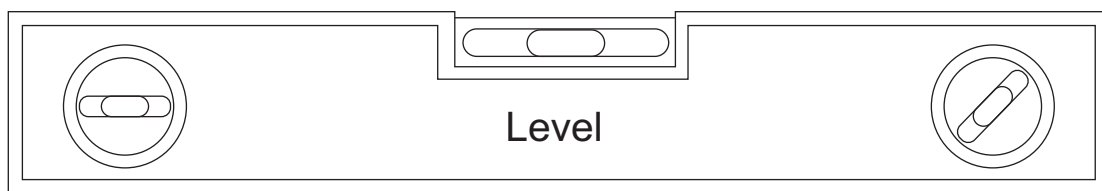
Rubber Mallet



Pencil

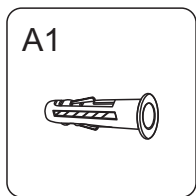
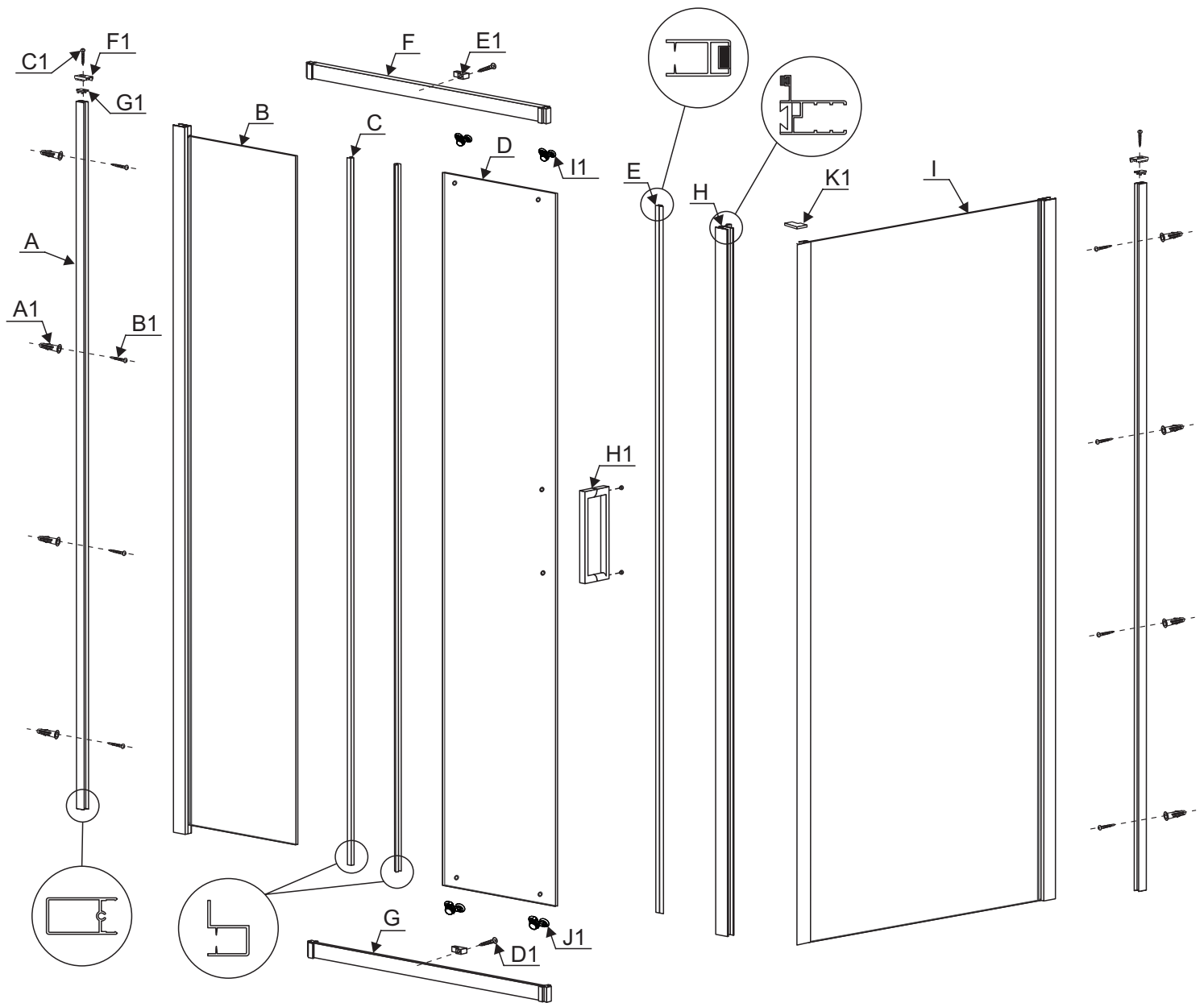


Magnetic cross head screw driver



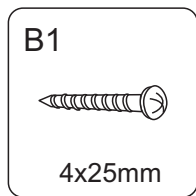
Level

Installation instructions



A1

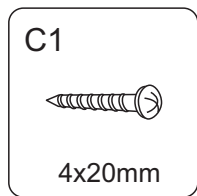
8PCS



B1

4x25mm

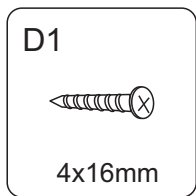
8PCS



C1

4x20mm

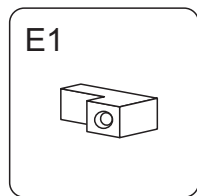
2PCS



D1

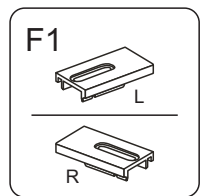
4x16mm

2PCS



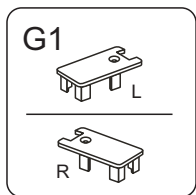
E1

2PCS



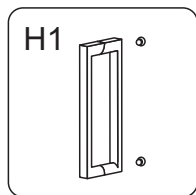
F1

2PCS



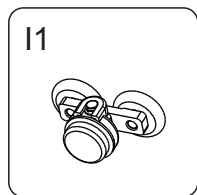
G1

2PCS



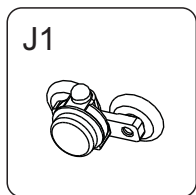
H1

1PCS



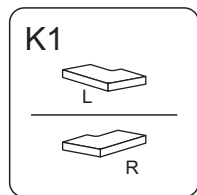
I1

2PCS



J1

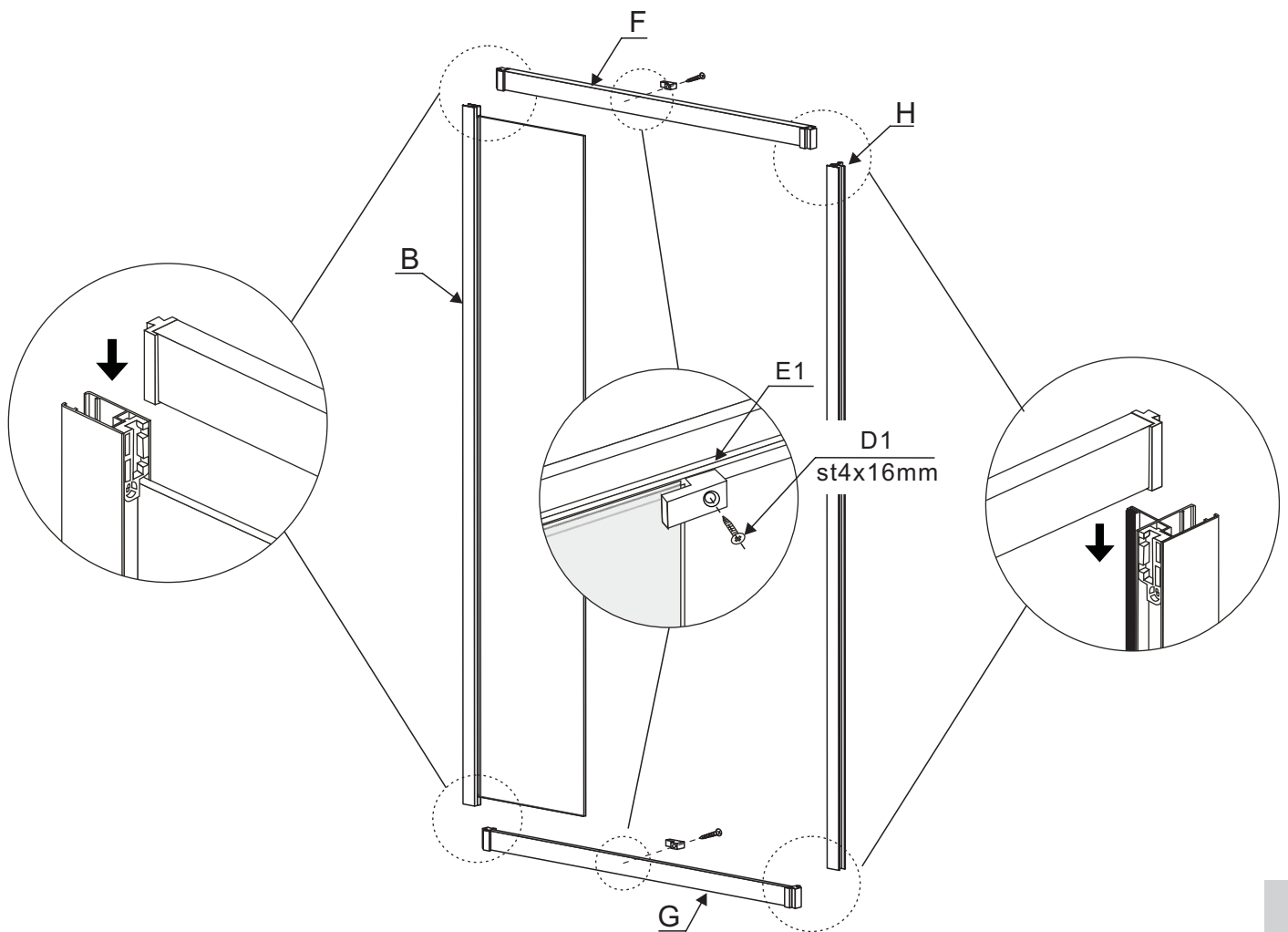
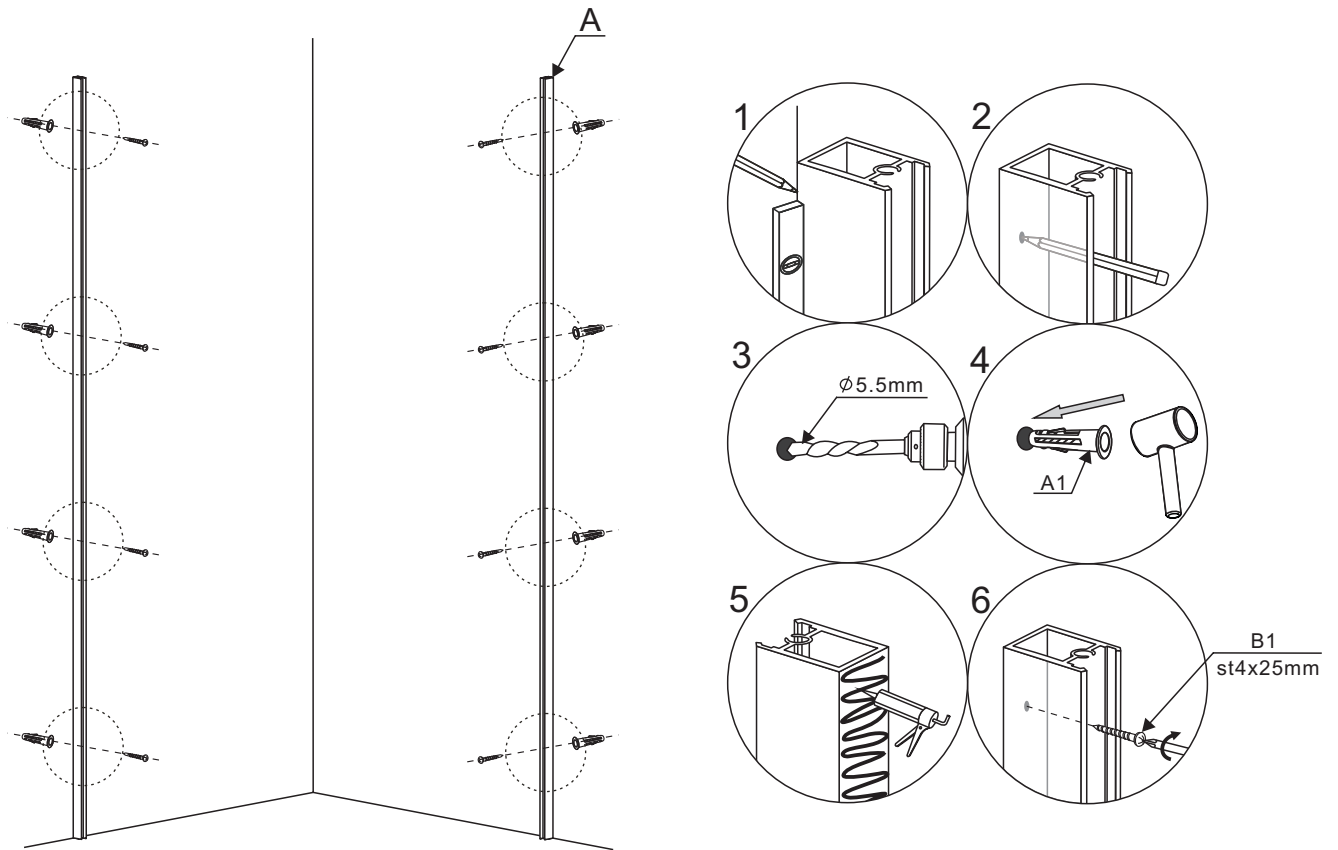
2PCS



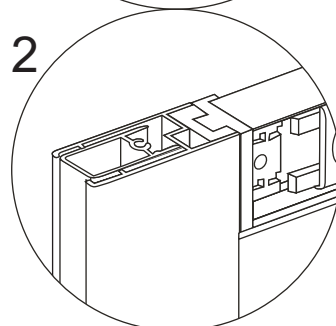
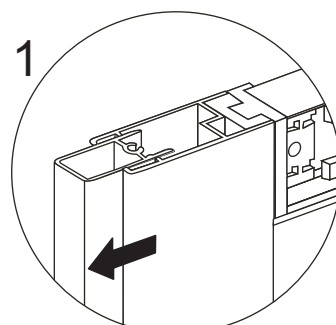
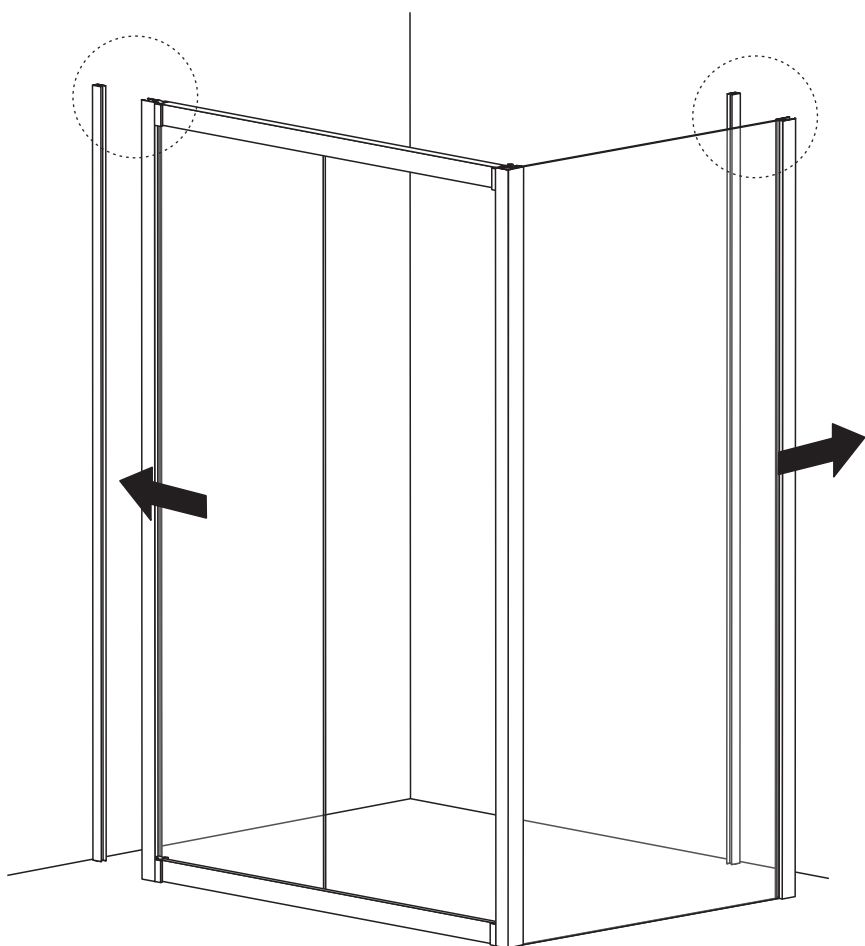
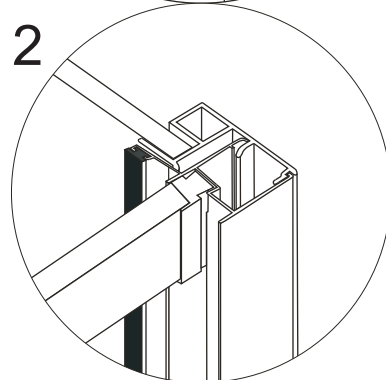
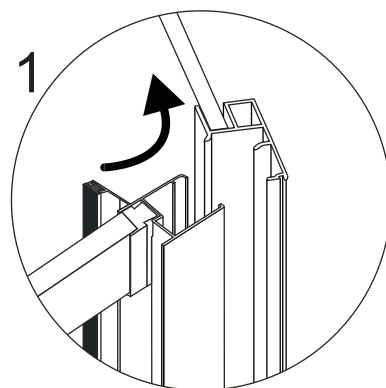
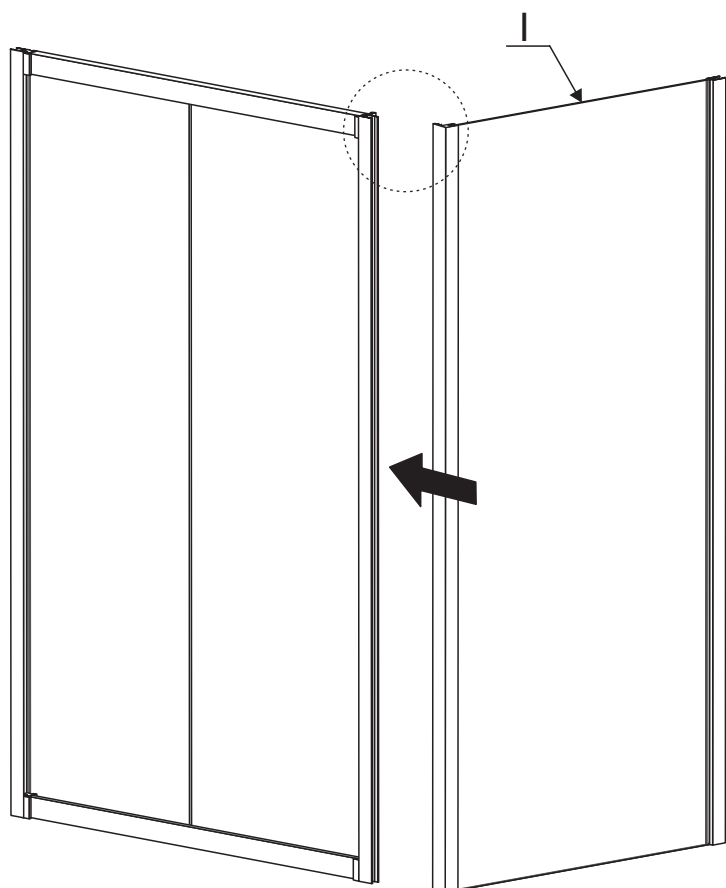
K1

2PCS

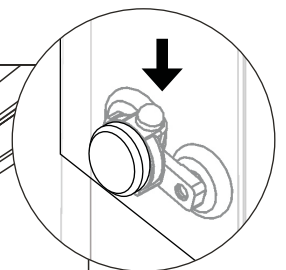
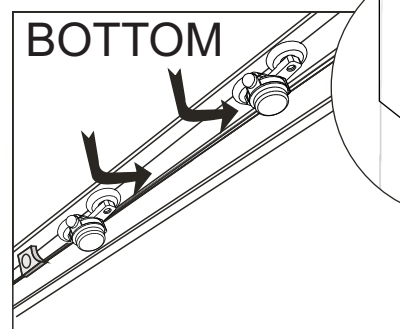
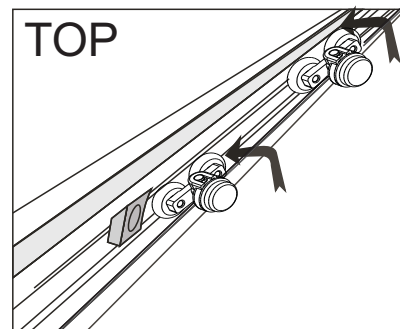
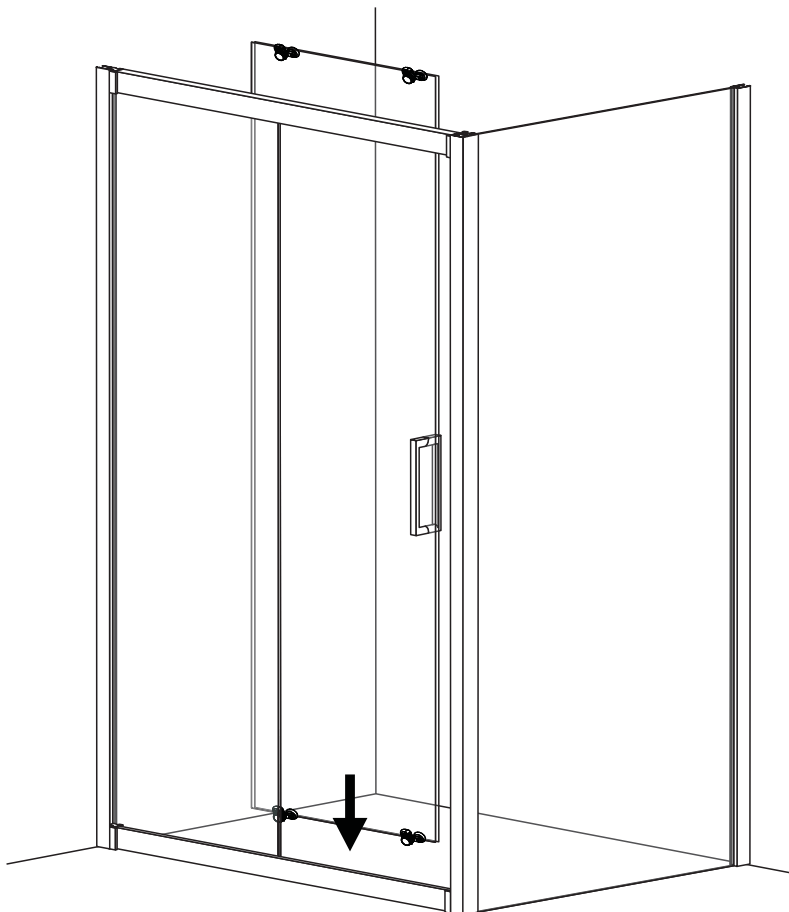
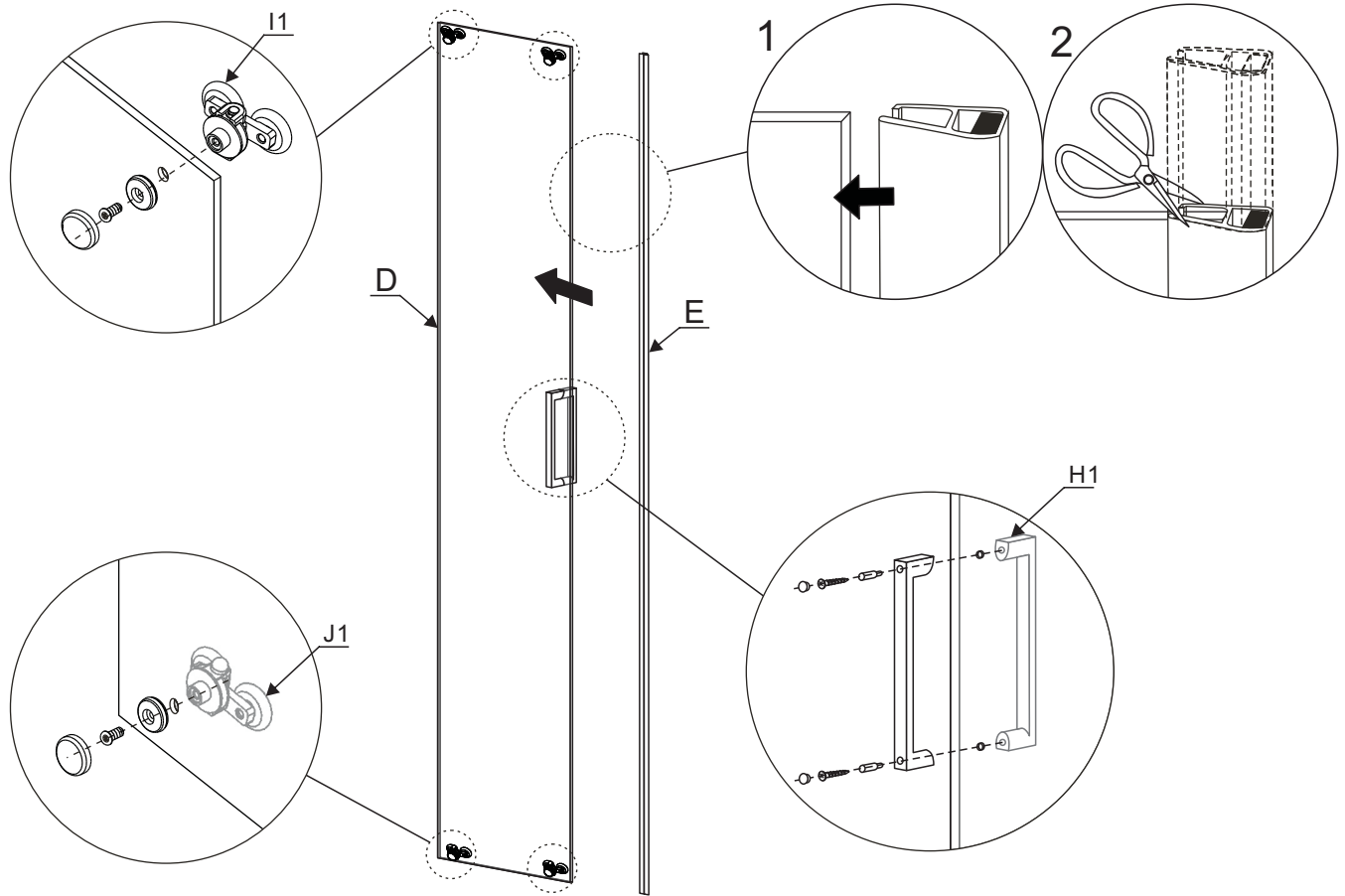
Installation instructions



Installation instructions



Installation instructions



Installation instructions

