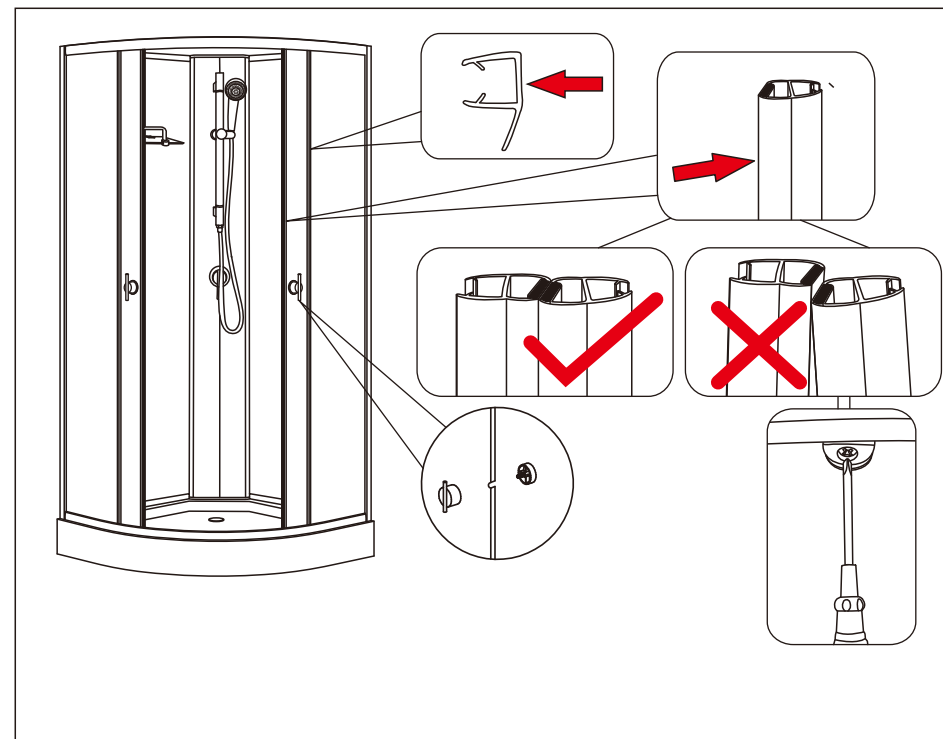
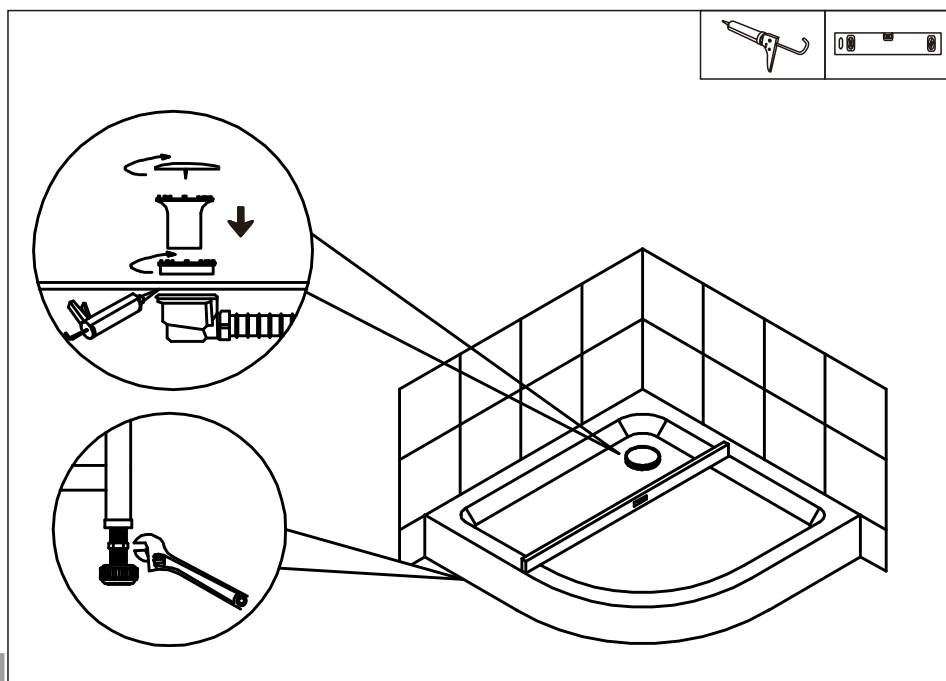
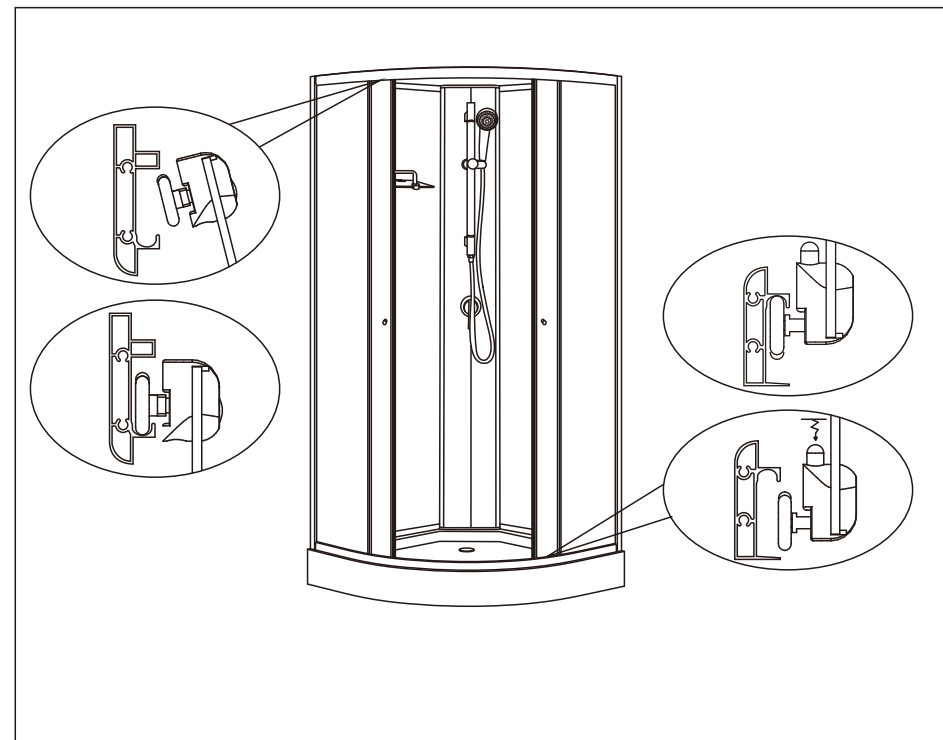
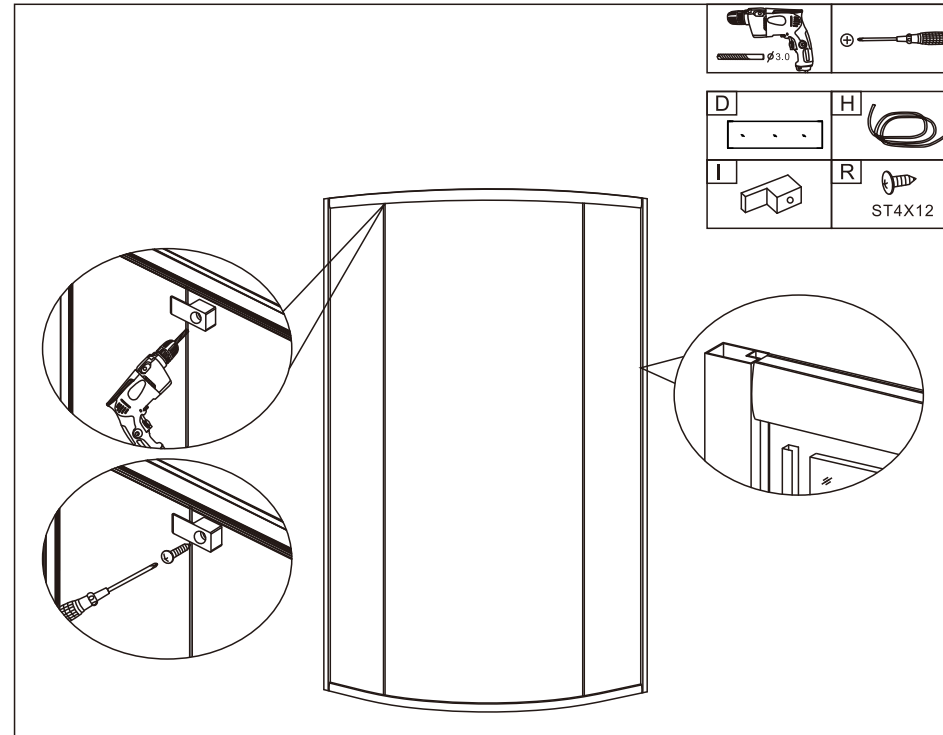
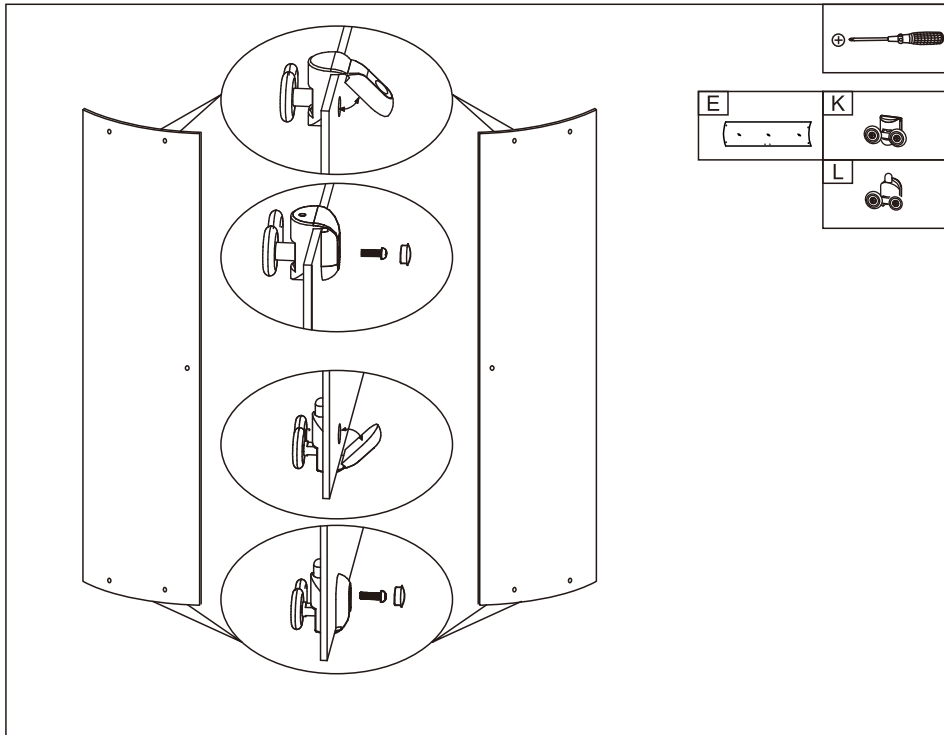
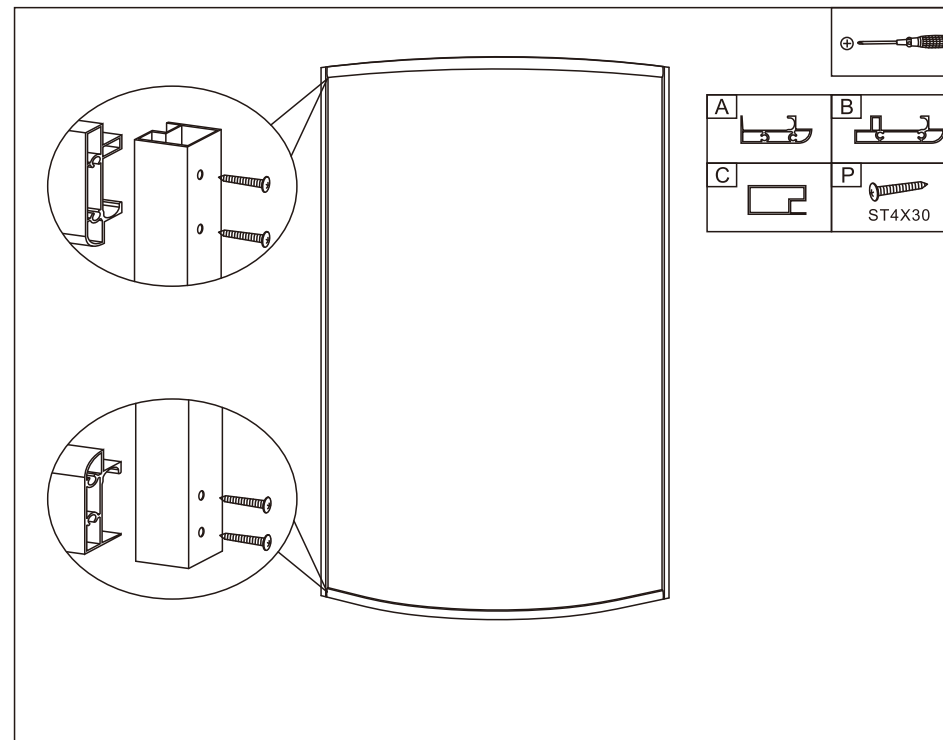
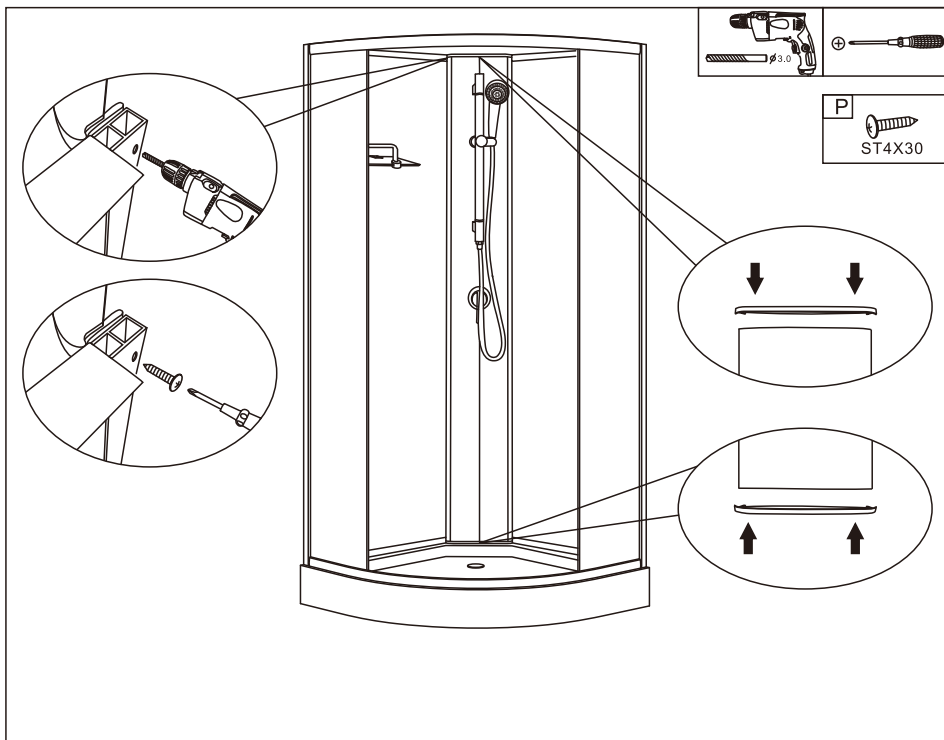
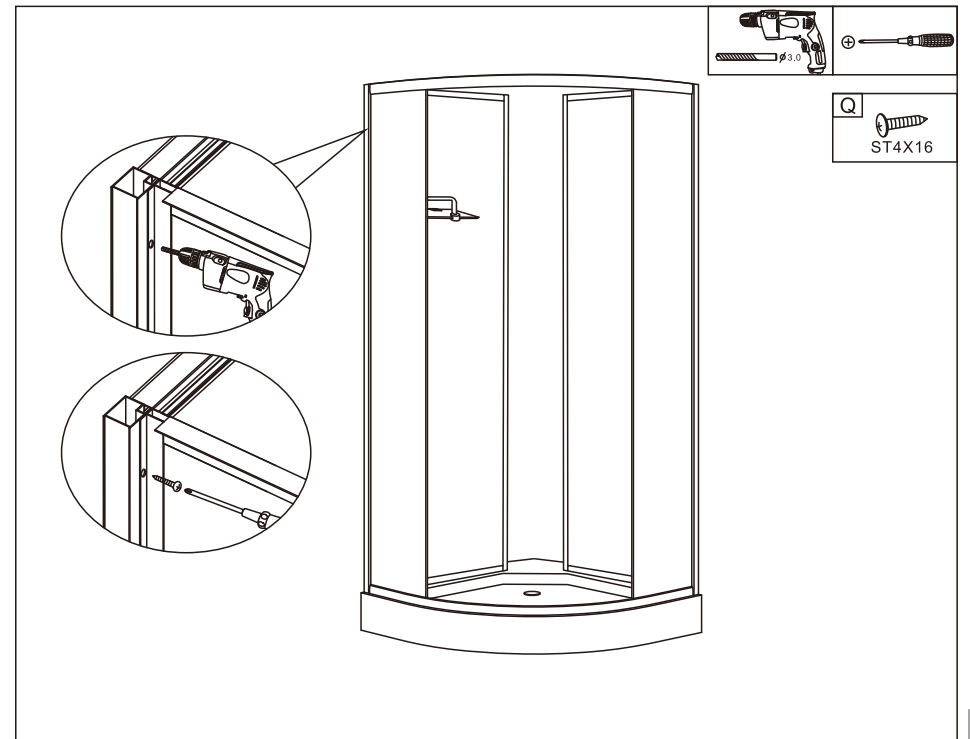
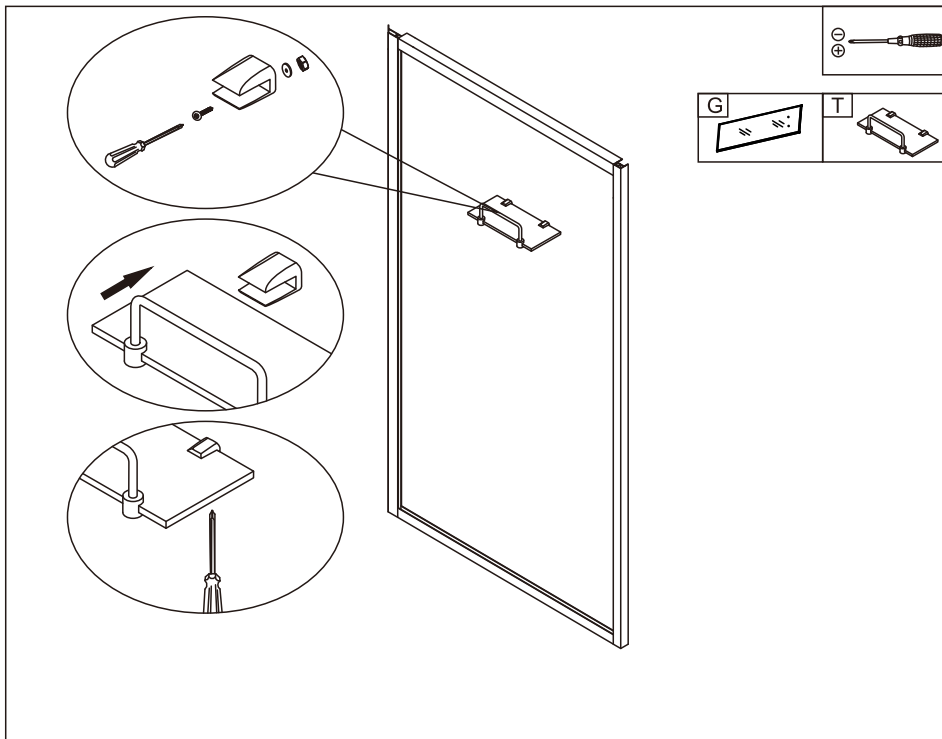
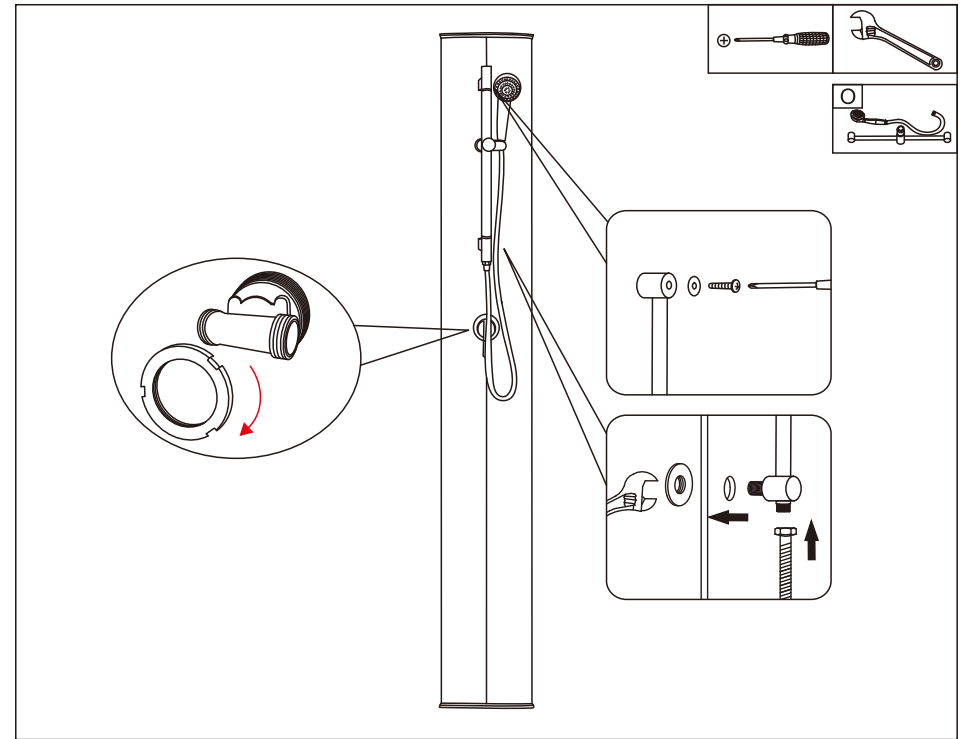
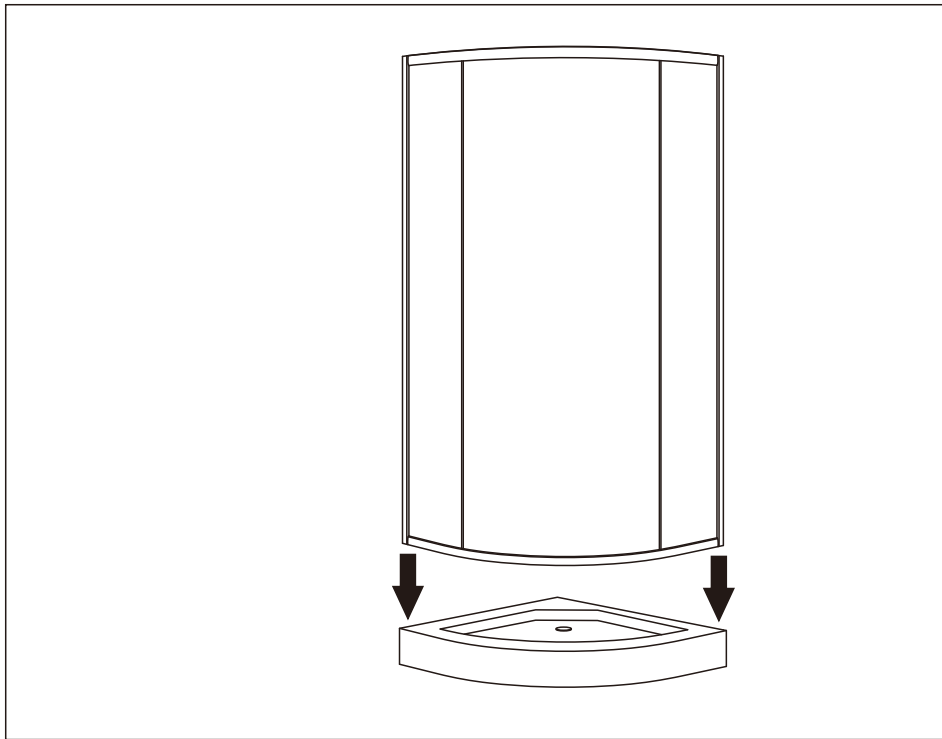


A		X1	H		X1	O		X1
B		X1	I		X4	P		X16
C		X2	J		X2	Q		X8
D		X2	K		X4	R		X4
E		X2	L		X4	S		X12
F		X1	M		X1	T		X1
G		X1	N		X2			







Konsumentkontakt
Hemfint Kristianstad AB
Barbackagatan 2
291 32 Kristianstad
info@hemfint.se